

Toggle Switch Description 钮子开关型号说明

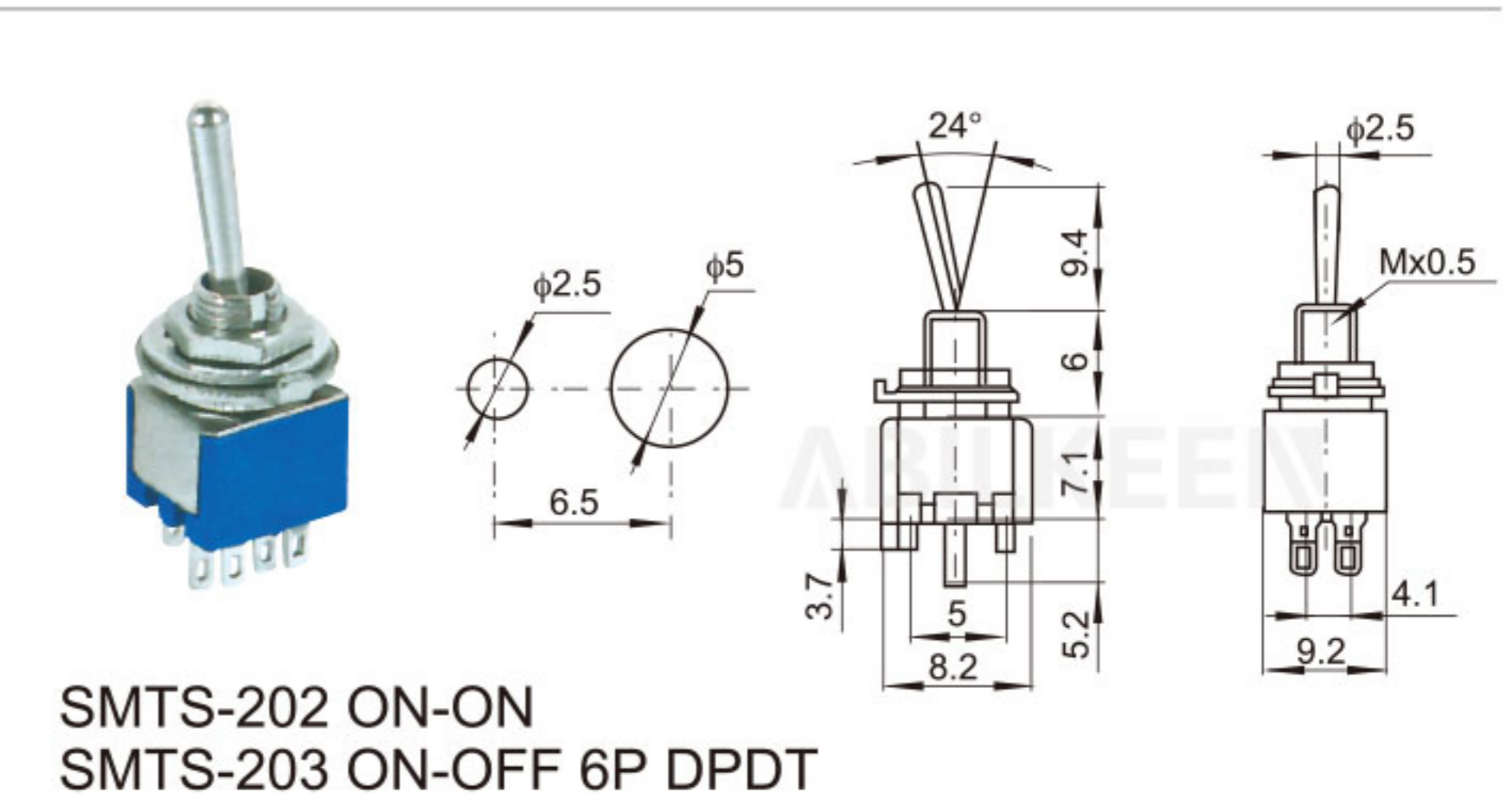
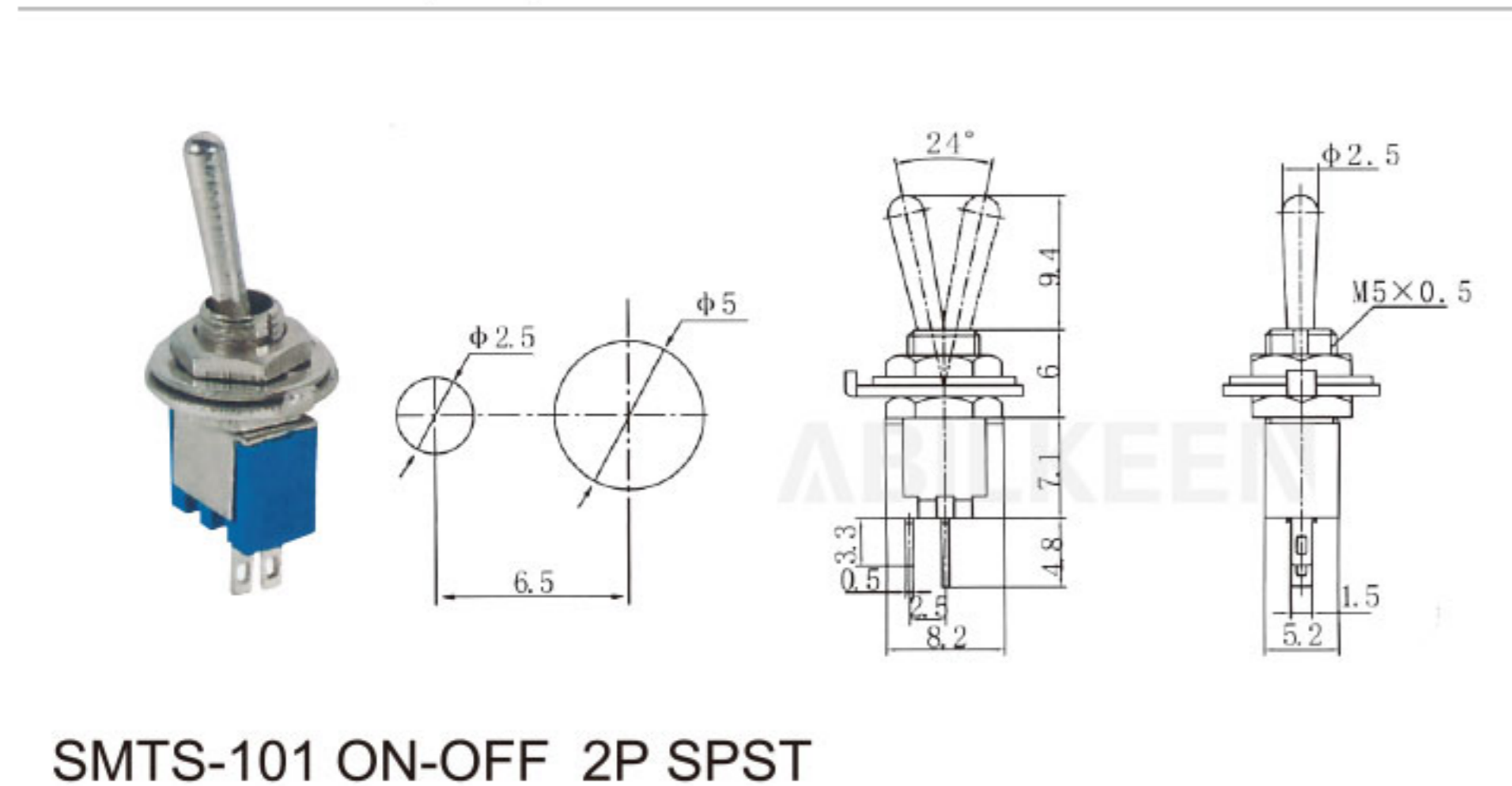
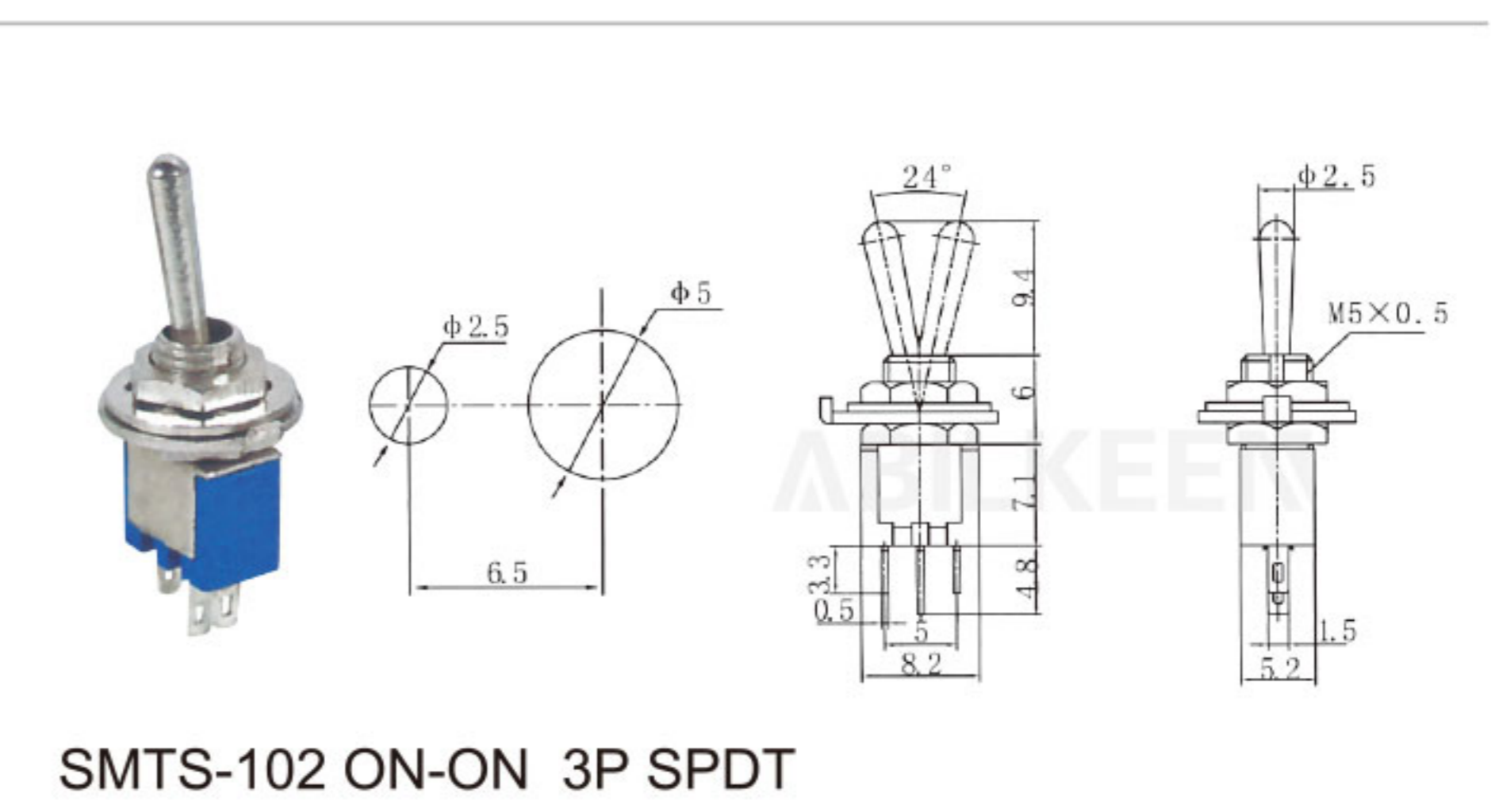
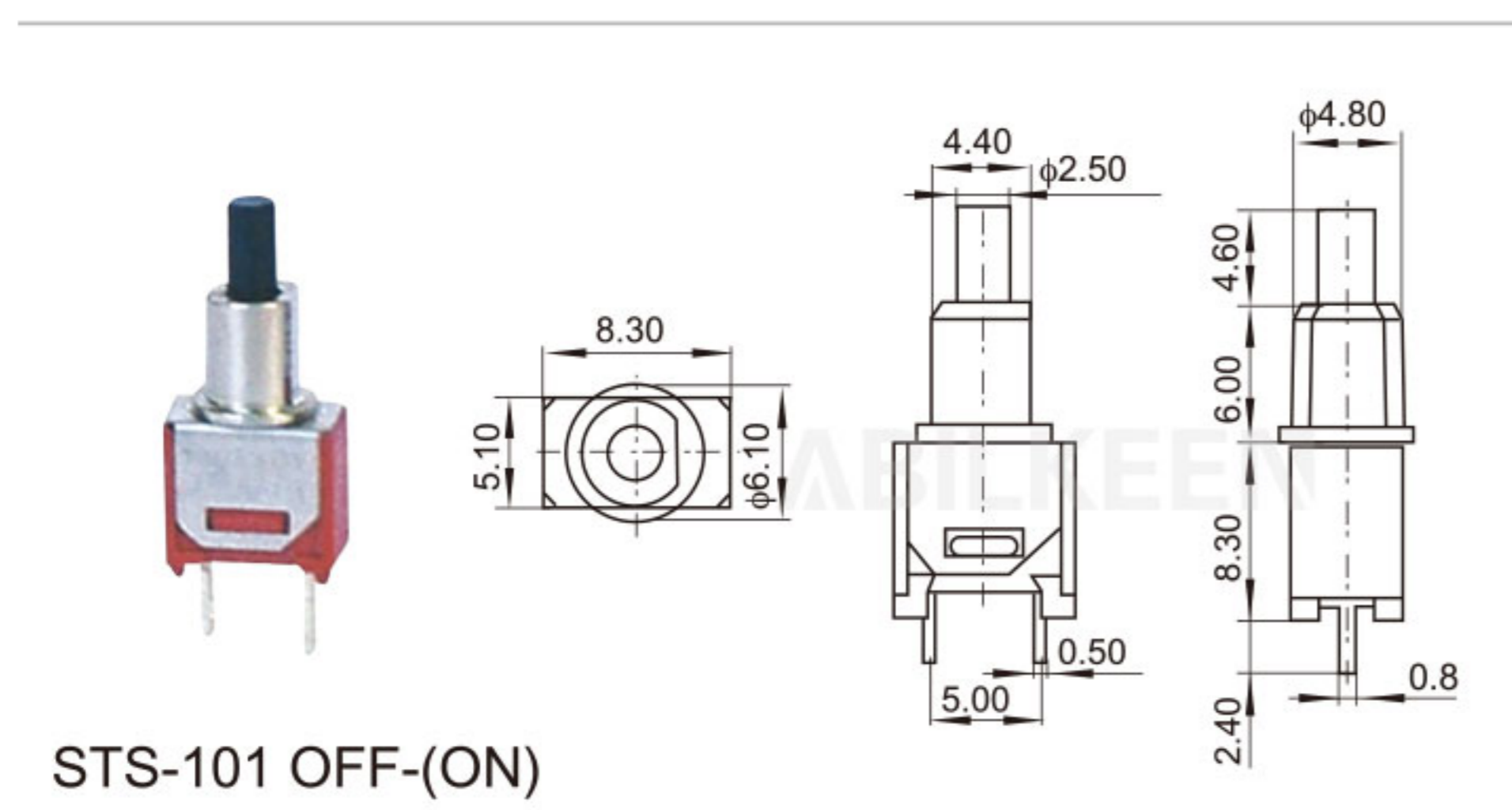
For example: SMTS-202-2C2TS01

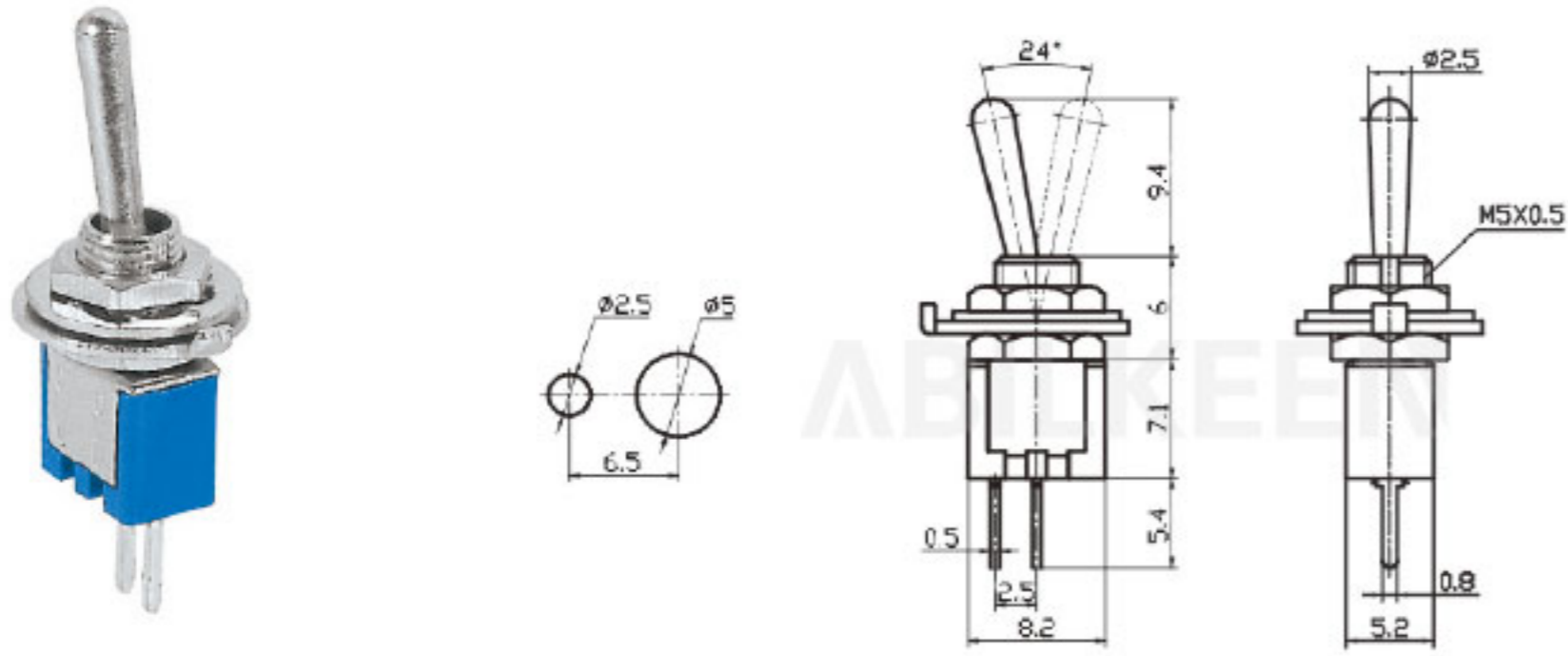
SMTS -	2	02	-	2	C	2	T	S	01
Sub-Miniature 超小型	Poles 刀数	Switch Function 电路特性	Series 系列号	Handle options 手柄种类	Terminals options 端子种类		Bracket 支架	Bushing 轴套	Nameplate 铭牌
	1: 1 Pole 2: 2 Pole	01: ON-OFF 02: ON-ON 03: ON-OFF-ON		标准 Standard(A) 	Solder terminal(1)	PC terminal(2)	(): Without T: With	标准 Standard(s) M5x0.5 	 01: ON-OFF 02: ON-ON 03: ON-OFF-ON
			短型 Short(C) 	PC-H terminal(3)	PC-H terminal(3H)		扁螺纹轴套 Threaded with flat (T) M5x0.5 		
			柄套 Handle cap(D) 红=R 黑=B 白=W 黄=Y 绿=G 蓝=BL 	PC-V terminal(4)	PC-V terminal(4H)		光轴套 Unthreaded with flat (U) φ4.8 		

Specifications For SMTS Series

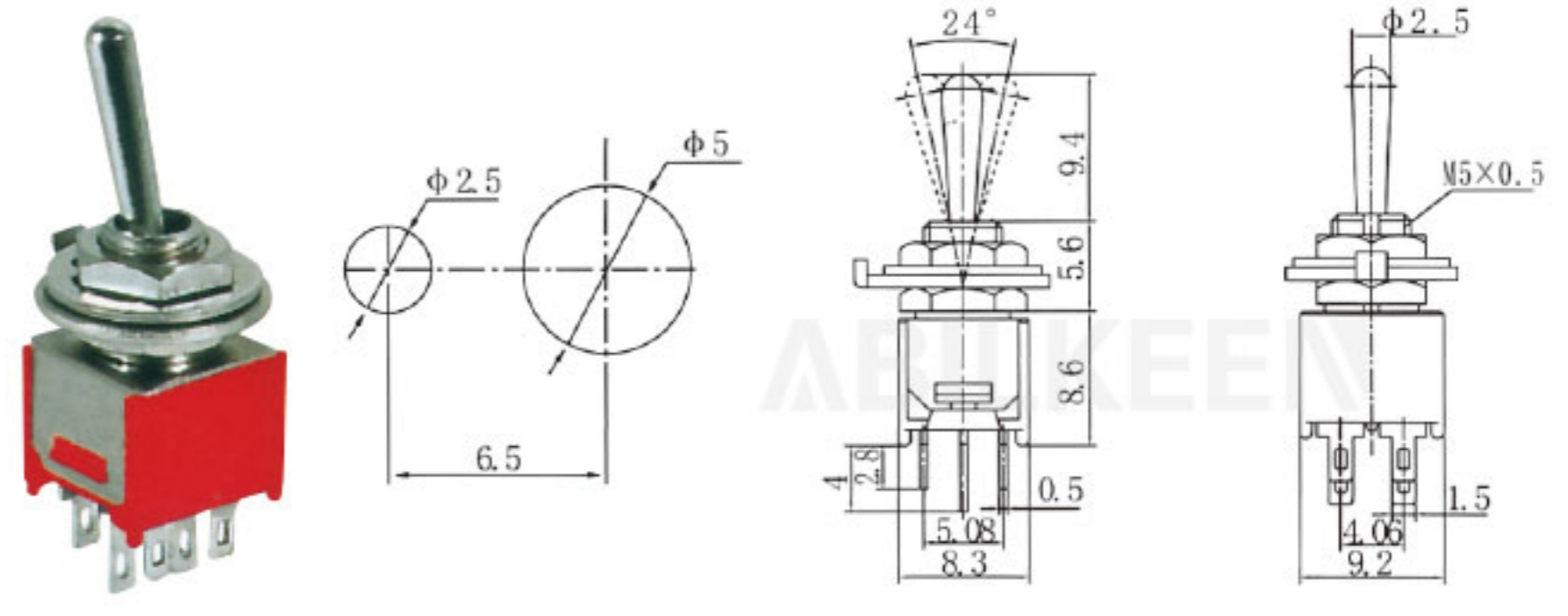
Project 项目	Parameter 参数
规格 Rating	3A 125VAC; 1.5A 250VAC
接触电阻 Contact Resistance	≤ 20mΩ
绝缘电阻 Insulation Resistance	≥ 500VDC 1000MΩ

Project 项目	Parameter 参数
耐电压 Withstand Voltage	1000VAC, 1 min
操作温度 Operating Temperature	-25 °C ~ +85 °C
电气寿命 Electric Life	≥ 10,000 Cycles

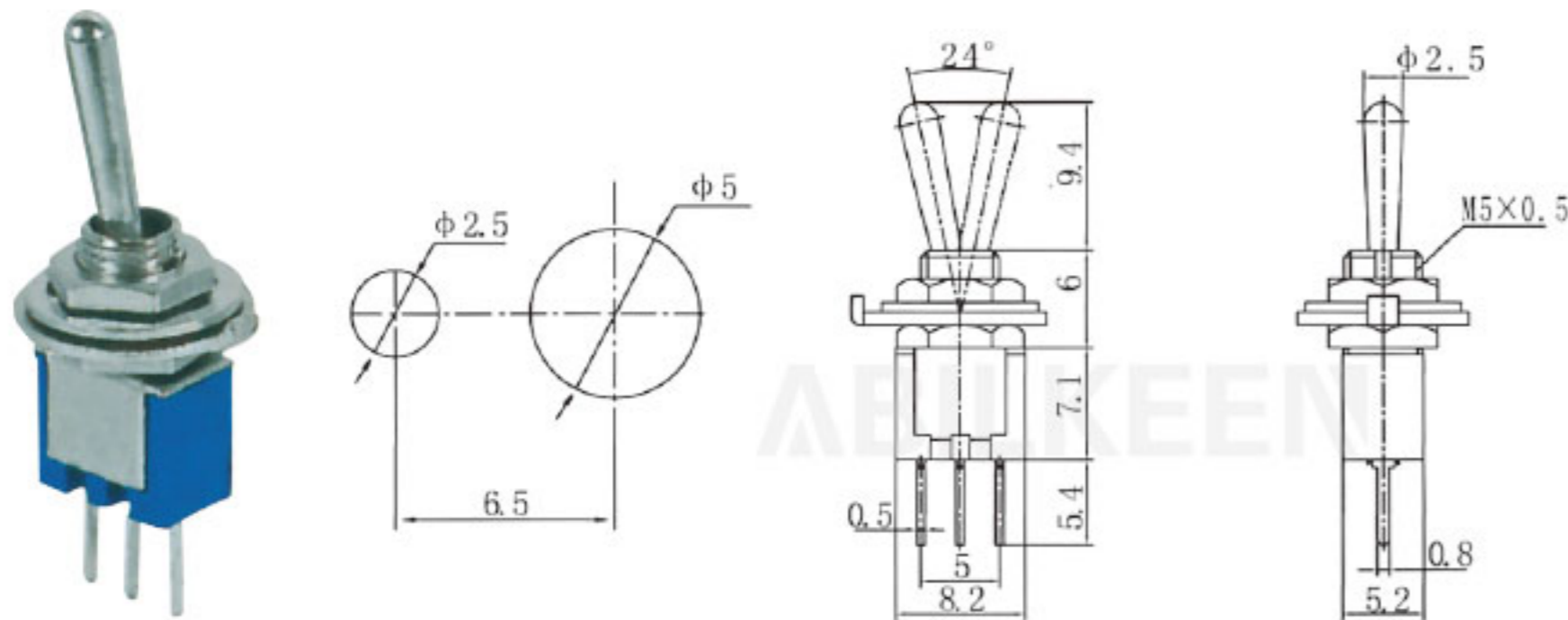




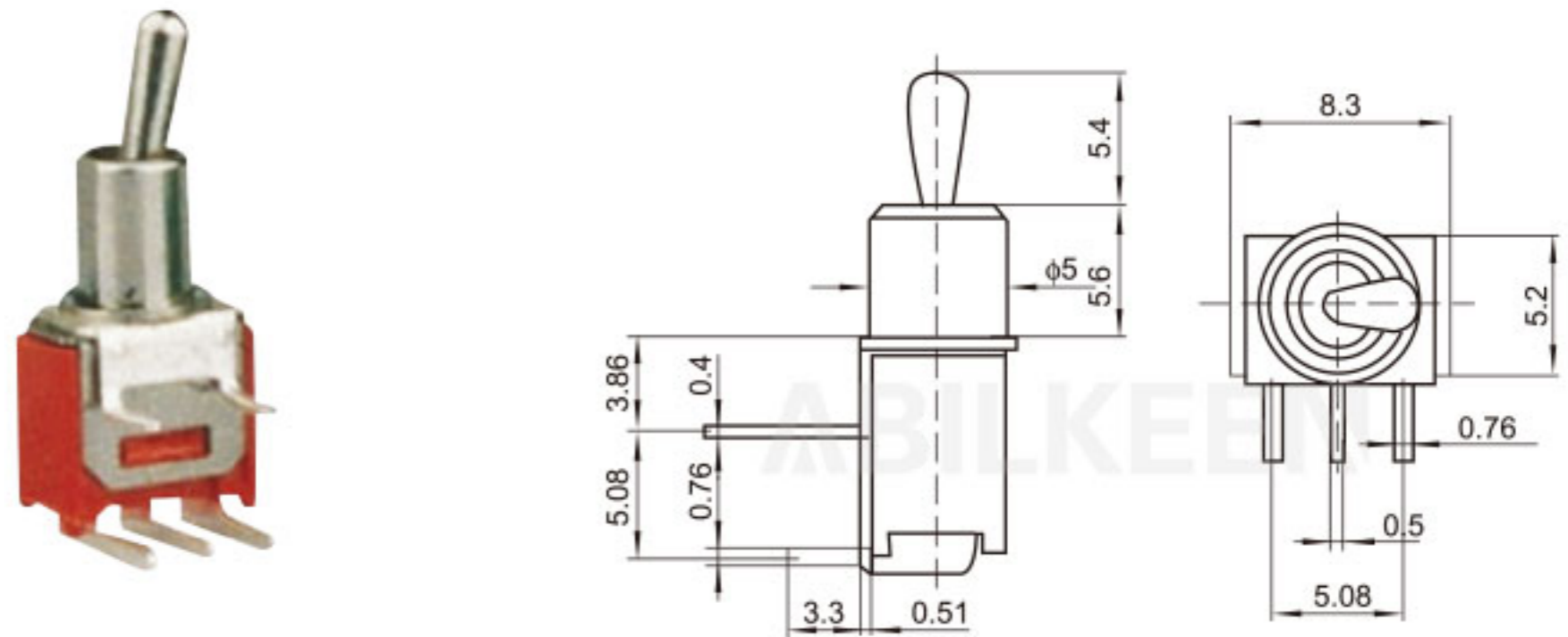
SMTS-101-A2 ON-OFF 2P SPST



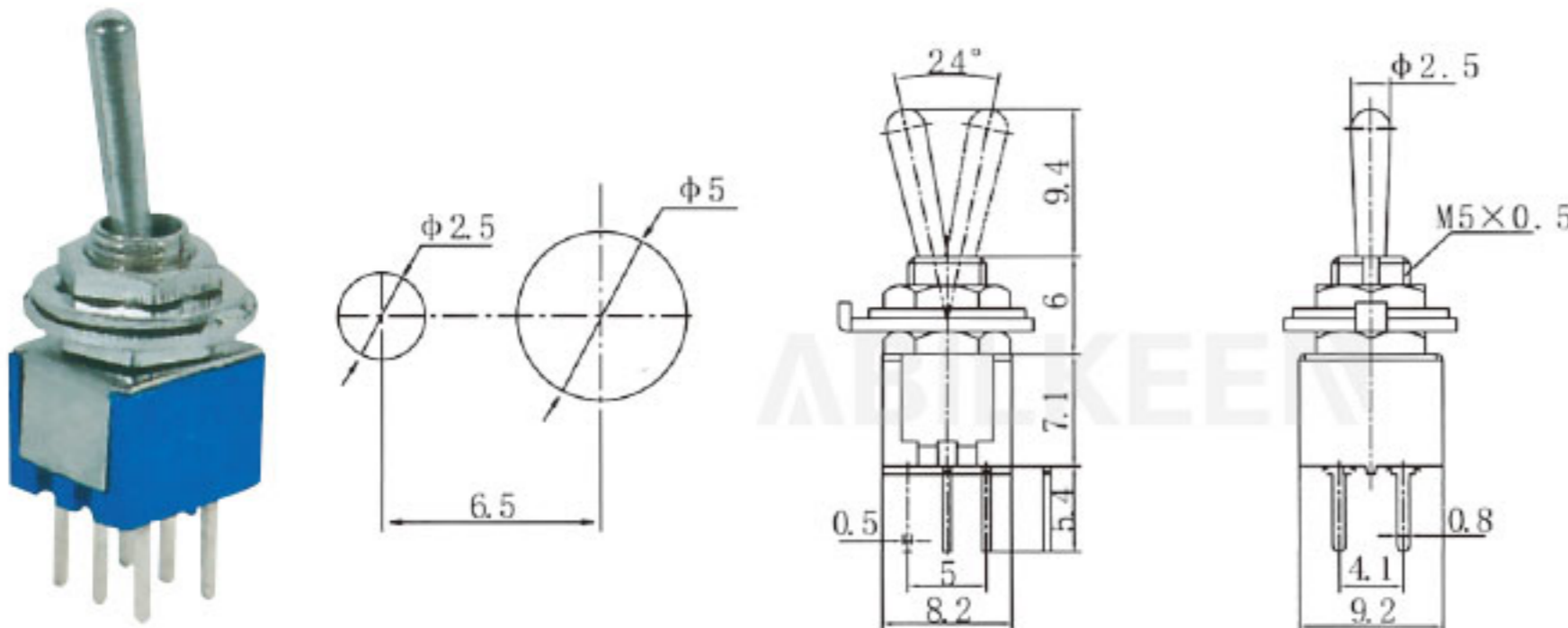
SMTS-203-2A1 ON-OFF-ON 6P DPDT



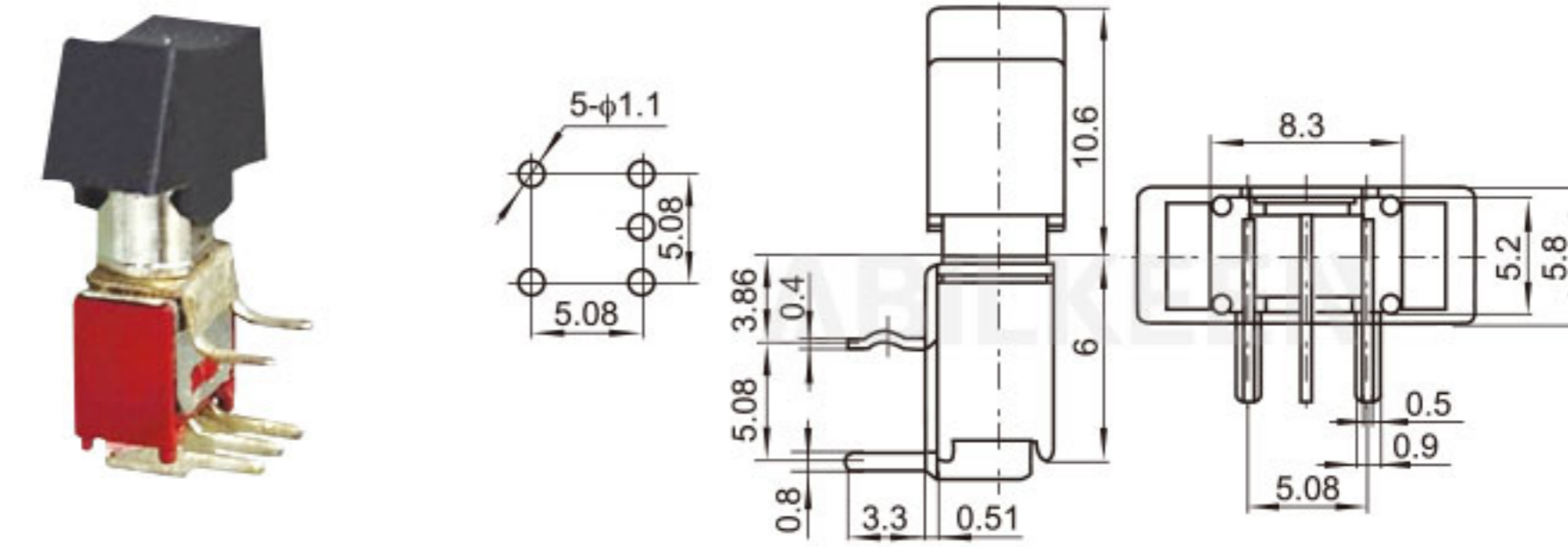
SMTS-102-A2 ON-ON 3P SPDT



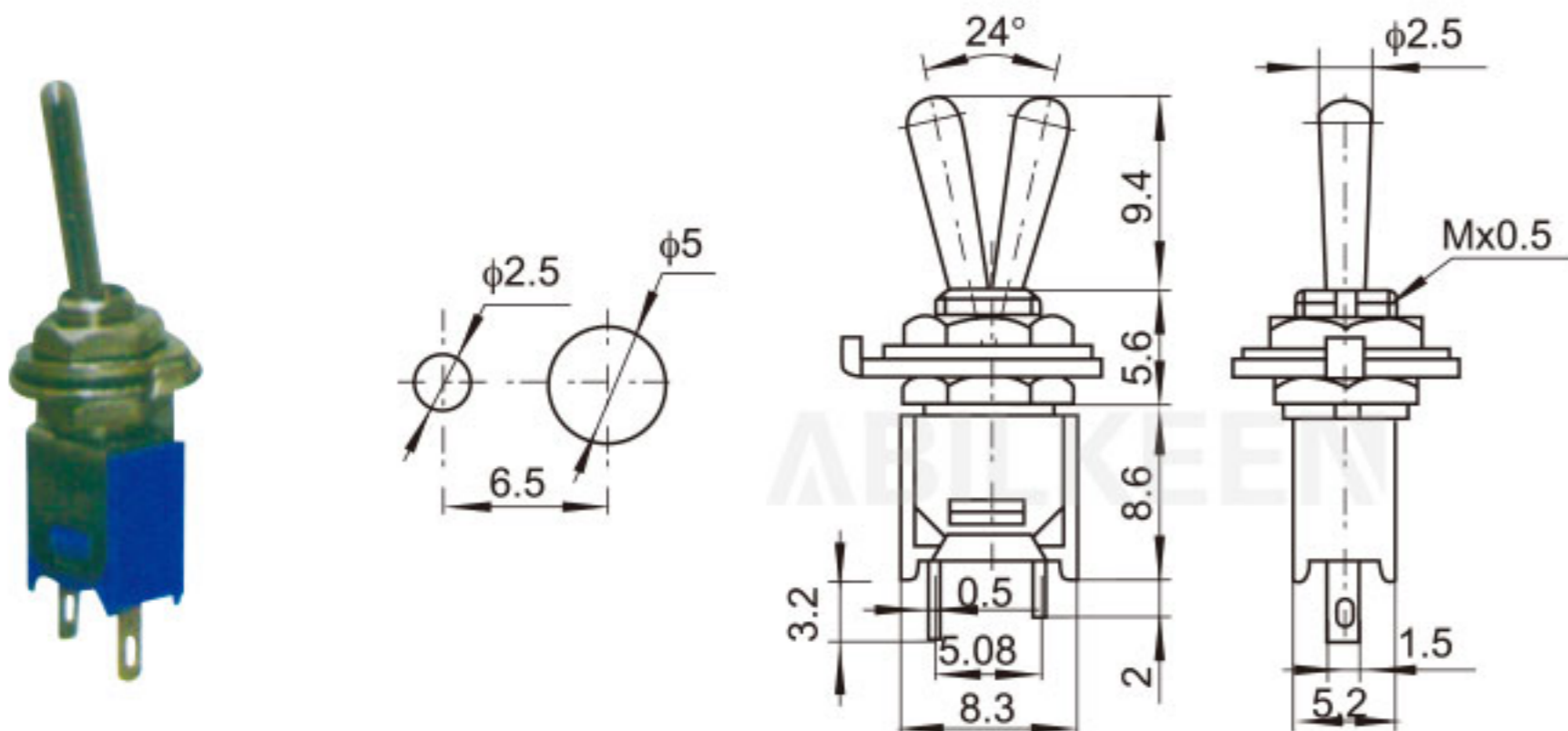
SMTS-102-2C3 ON-ON
SMTS-103-2C3 ON-OFF-ON 3P SPDT



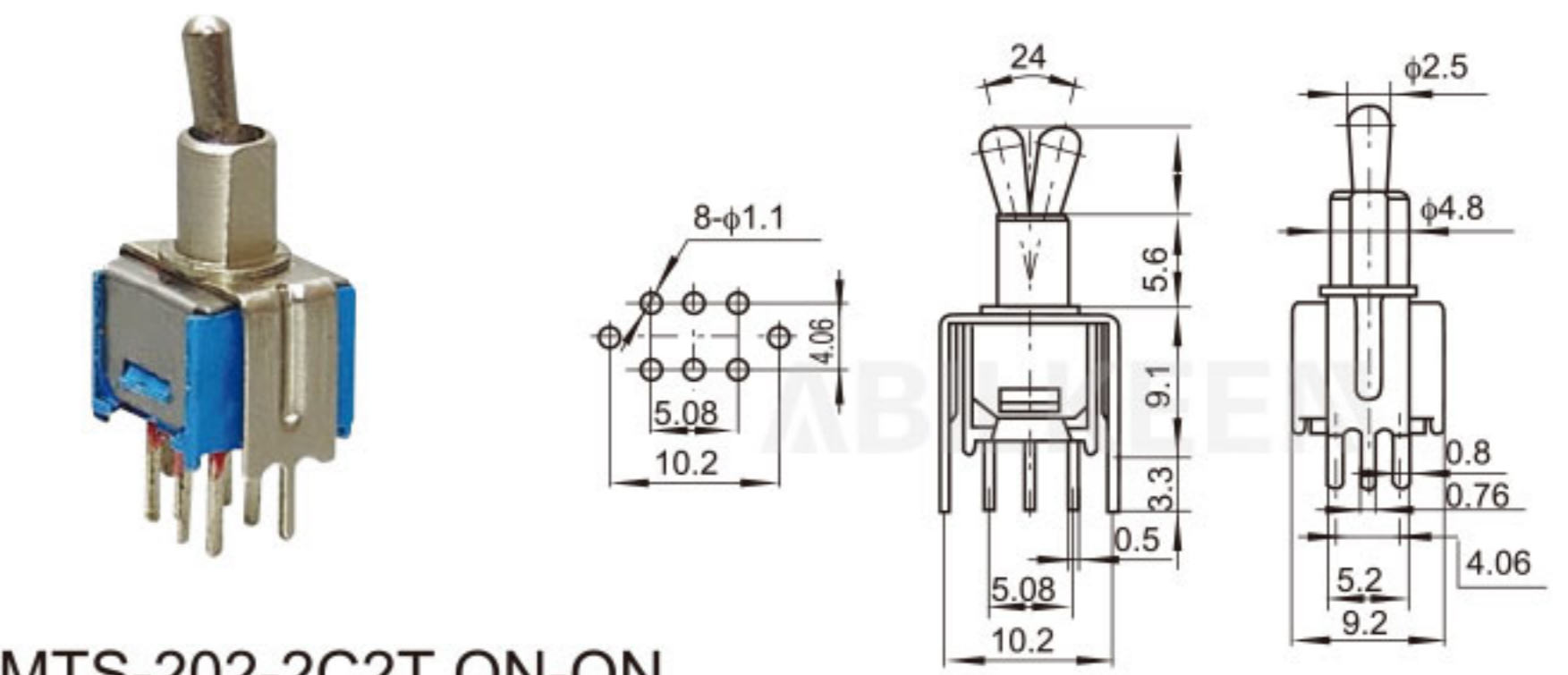
SMTS-202-A2 ON-ON 6P DPDT



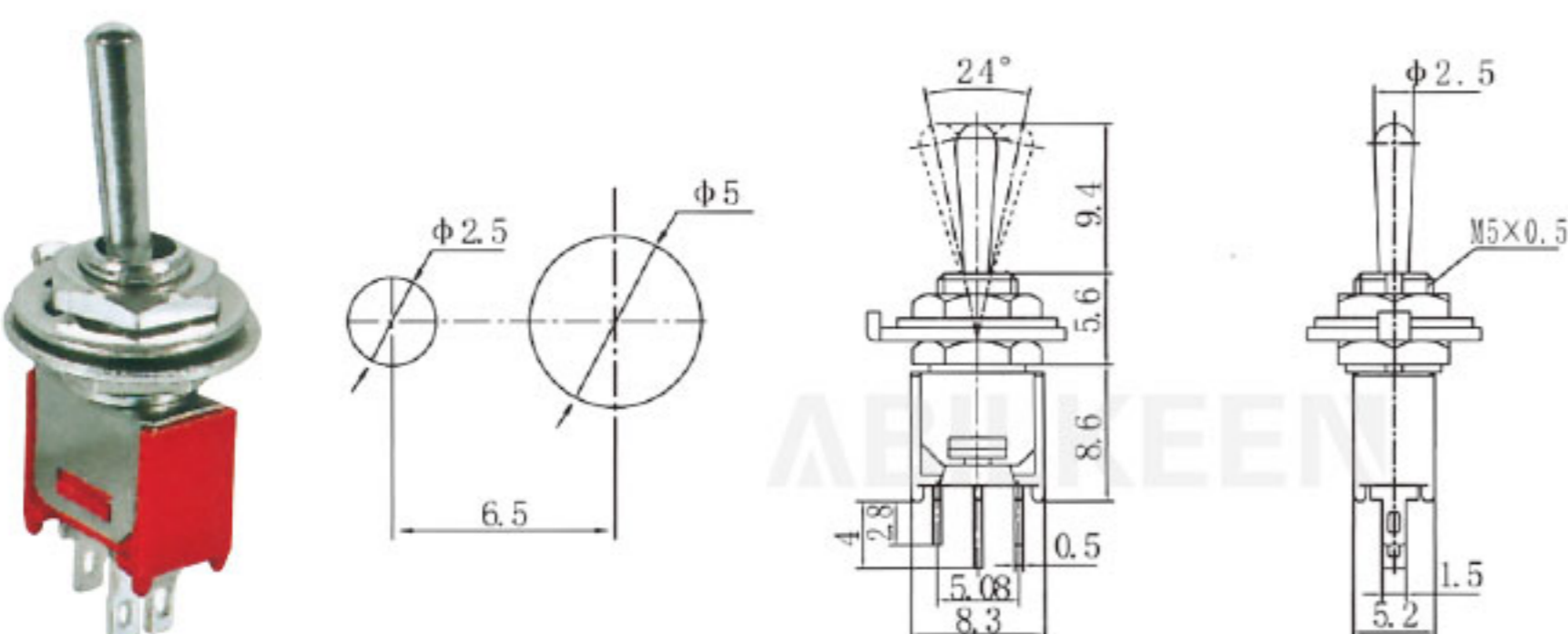
SRLS-102-C3H ON-ON
SRLS-103-C3H ON-OFF-ON 3P SPDT



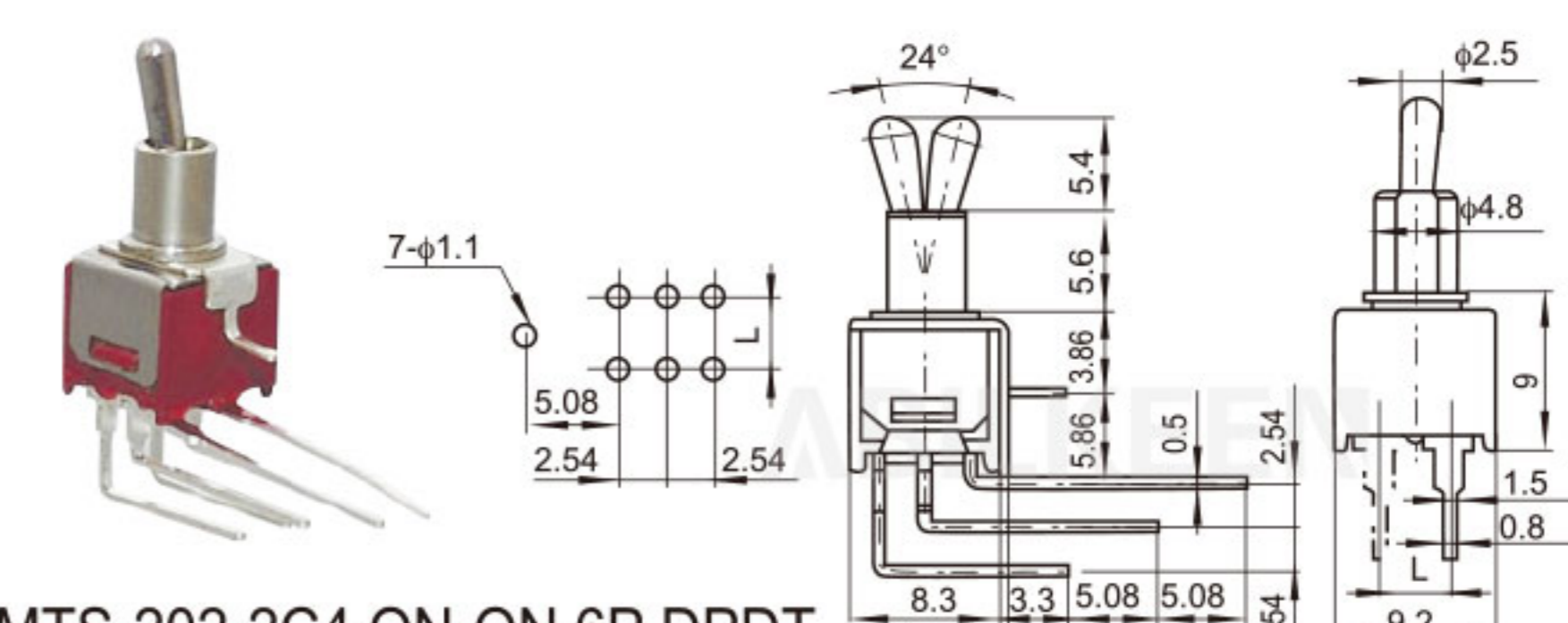
SMTS-101-2A1 ON-OFF 2P SPST



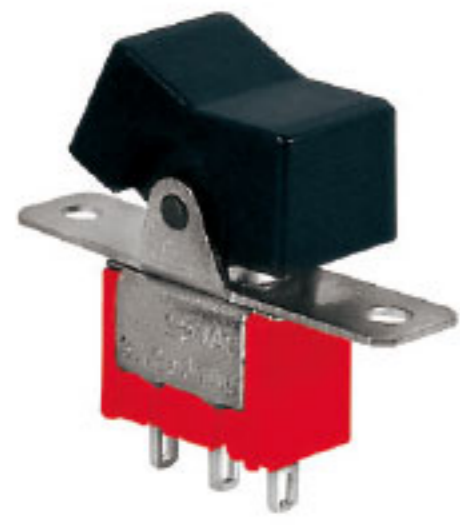
SMTS-202-2C2T ON-ON
SMTS-203-2C2T ON-OFF-ON 6P DPDT



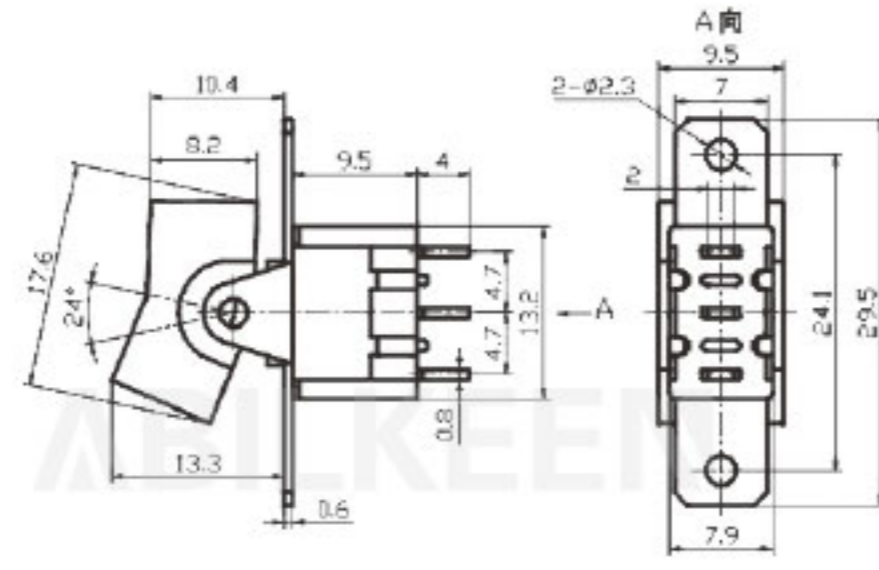
SMTS-103-2A1 ON-OFF-ON 3P SPDT



SMTS-202-2C4 ON-ON 6P DPDT
SMTS-203-2C4 ON-OFF-ON
L:4.06, 5.08



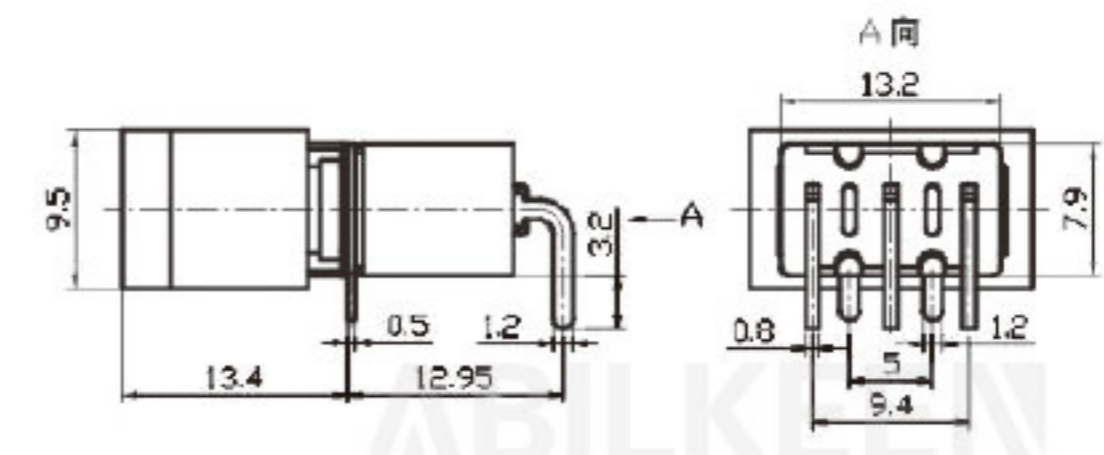
SPDT 3P



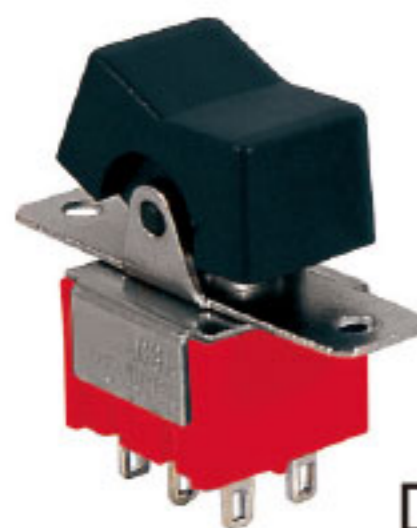
RLS-102-A1 ON-ON RLS-112-A1 ON-(ON)
 RLS-103-A1 ON-OFF-ON RLS-113-A1 ON-OFF-(ON)
 RLS-123-A1 (ON)-OFF-(ON)



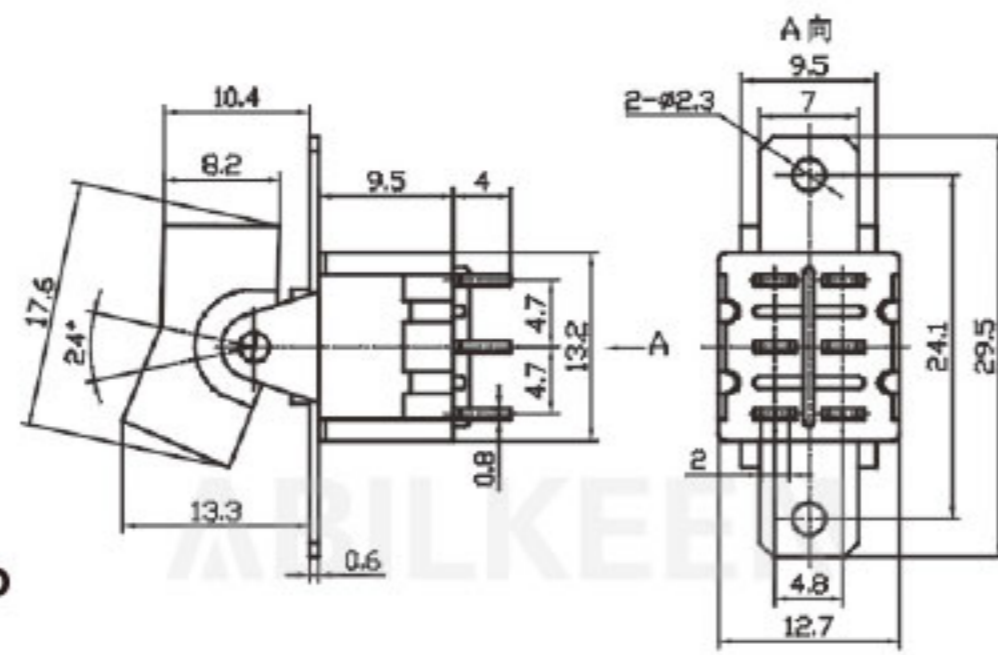
SPDT 3P



RLS-102-A3 ON-ON RLS-112-A3 ON-(ON)
 RLS-103-A3 ON-OFF-ON RLS-113-A3 ON-OFF-(ON)
 RLS-123-A3 (ON)-OFF-(ON)



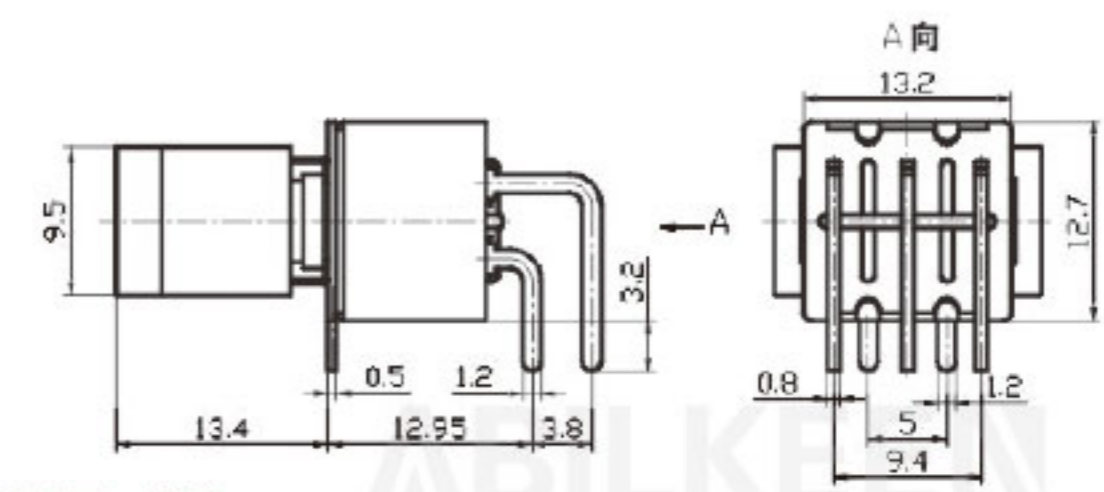
DPDT 6P



RLS-202-A1 ON-ON RLS-212-A1 ON-(ON)
 RLS-203-A1 ON-OFF-ON RLS-213-A1 ON-OFF-(ON)
 RLS-223-A1 (ON)-OFF-(ON)



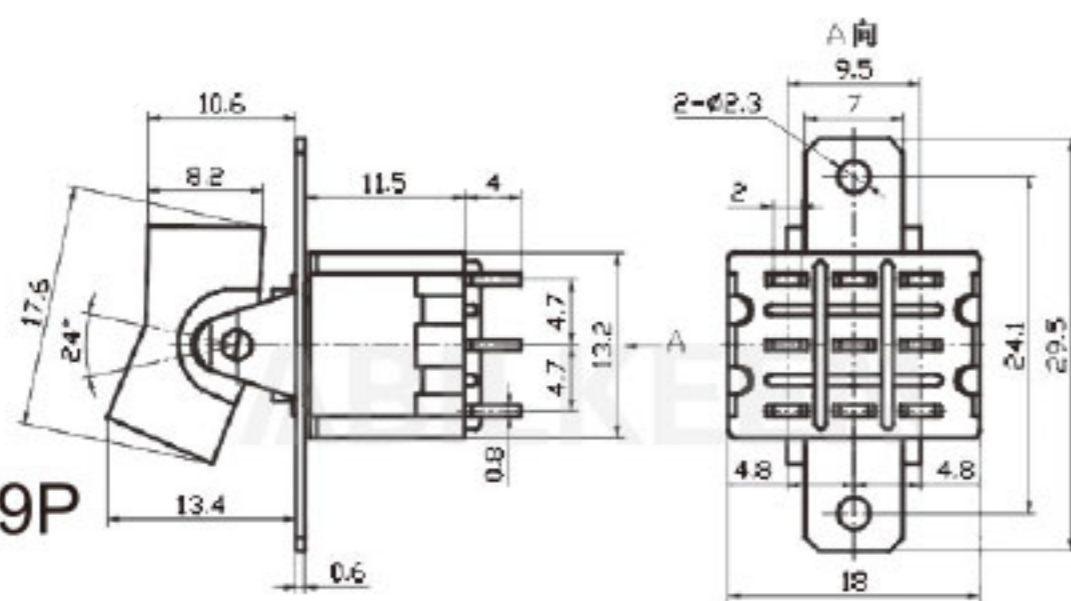
DPDT 6P



RLS-202-A3 ON-ON RLS-212-A3 ON-(ON)
 RLS-203-A3 ON-OFF-ON RLS-213-A3 ON-OFF-(ON)
 RLS-223-A3 (ON)-OFF-(ON)



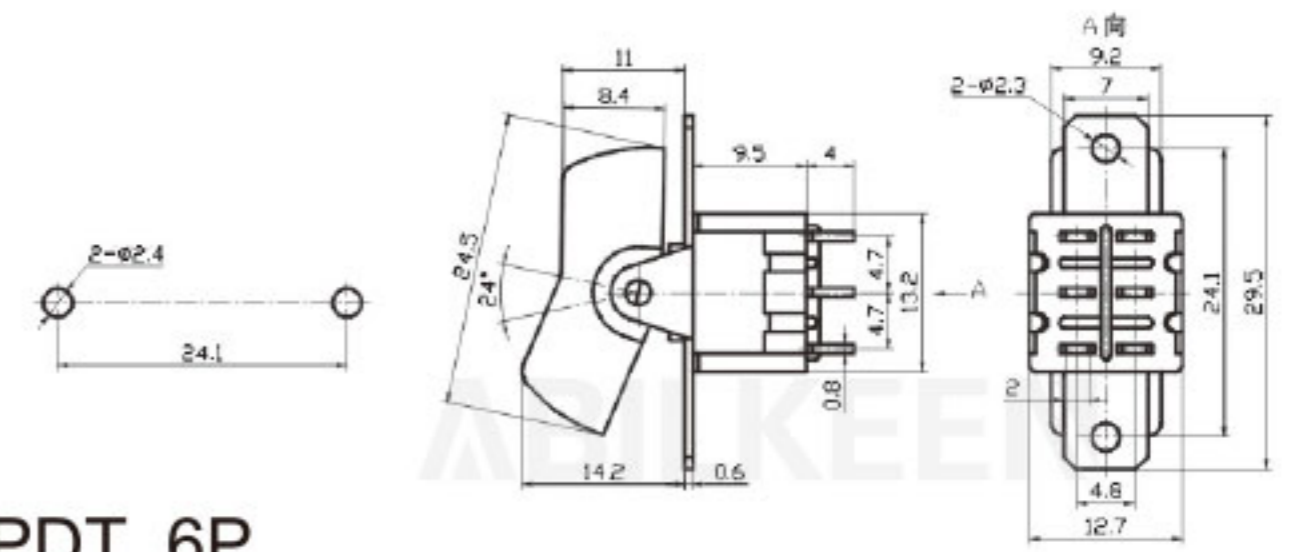
3PDT 9P



RLS-302-A1 ON-ON
 RLS-303-A1 ON-OFF-ON



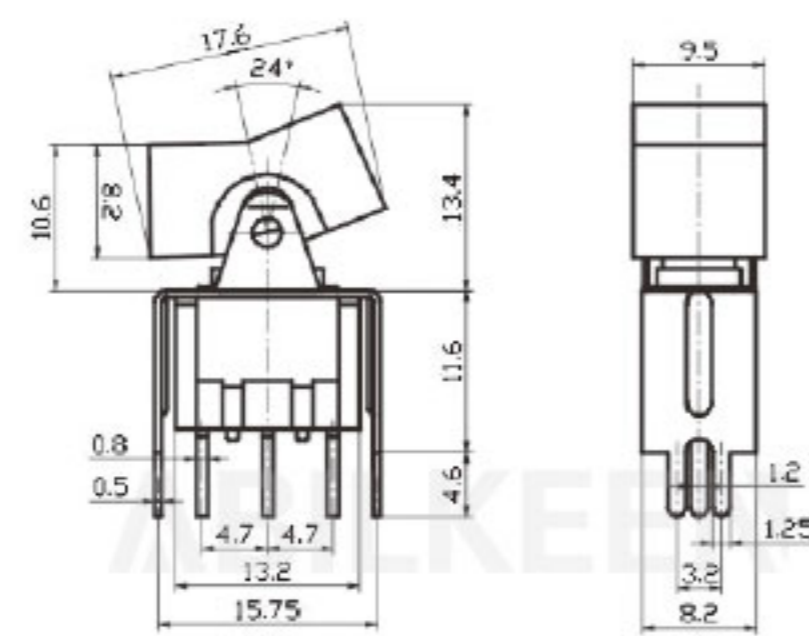
DPDT 6P



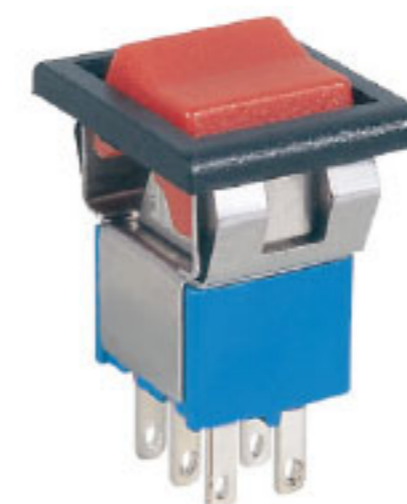
RLS-202-C1 ON-ON RLS-212-C1 ON-(ON)
 RLS-203-C1 ON-OFF-ON RLS-213-C1 ON-OFF-(ON)
 RLS-223-C1 (ON)-OFF-(ON)



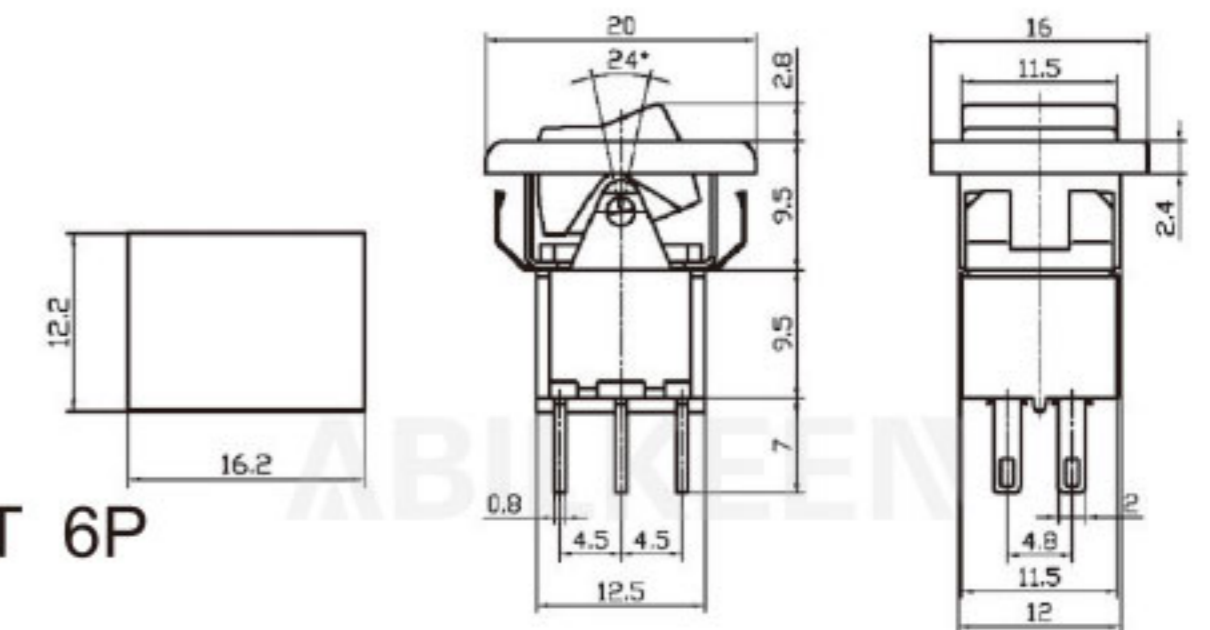
SPDT 3P



RLS-102-A2T ON-ON RLS-112-A2T ON-(ON)
 RLS-103-A2T ON-OFF-ON RLS-113-A2T ON-OFF-(ON)
 RLS-123-A2T (ON)-OFF-(ON)



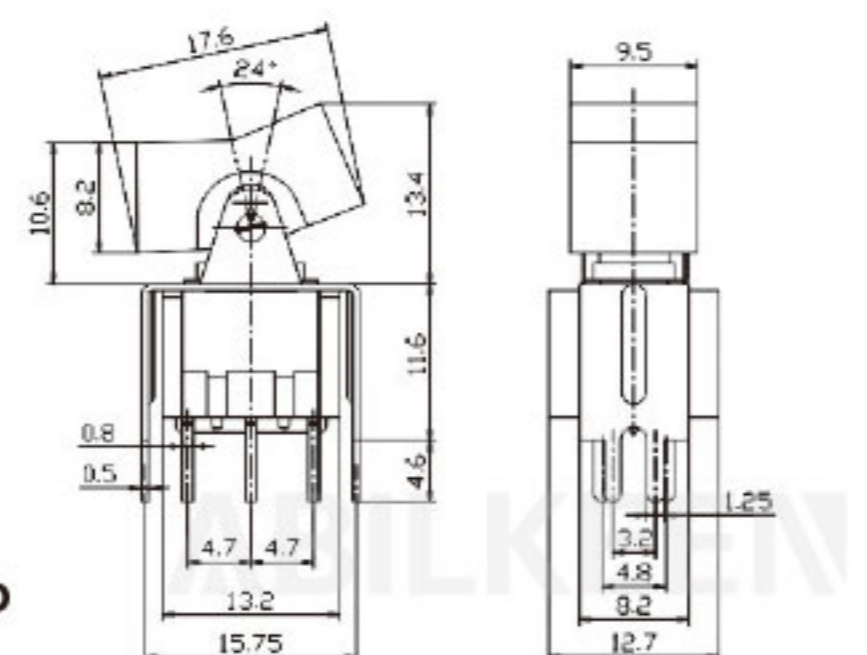
DPDT 6P



RLS-202-E5 ON-ON
 RLS-203-E5 ON-OFF-ON



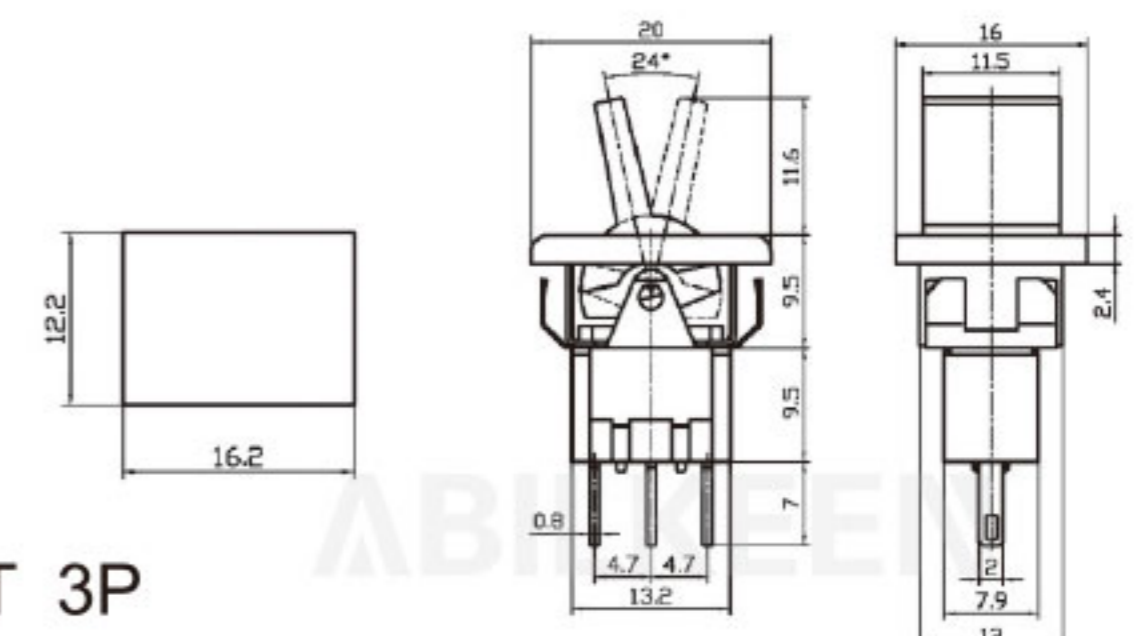
DPDT 6P



RLS-202-A2T ON-ON RLS-212-A2T ON-(ON)
 RLS-203-A2T ON-OFF-ON RLS-213-A2T ON-OFF-(ON)
 RLS-223-A2T (ON)-OFF-(ON)



SPDT 3P



RLS-102-F1 ON-ON RLS-113-F1 ON-OFF-(ON)
 RLS-112-F1 ON-(ON) RLS-123-F1 (ON)-OFF-(ON)
 RLS-103-F1 ON-OFF-ON

Toggle Switch Description 钮子开关型号说明

For example: MTS-102-A2T-R

MTS - 1		02	A			2		T - R		Waterproof Cover 防水帽
Miniature 小型	Poles 刀数	Switch Function 电路特性	Handle options 手柄种类			Terminals options 端子种类		Bracket 支架	Housing color 基座颜色	
	1: 1 Pole 2: 2 Pole 3: 3 Pole 4: 4 Pole	01: ON-OFF 02: ON-ON 11: OFF-(ON) 12: ON-(ON)(单复位) 03: ON-OFF-ON 13: (ON)-OFF-(ON)(单复位) 23: (ON)-OFF-(ON)(双复位)	标准 Standard(A) 	长型 Long(B) 	短型 Short(C) 	Solder terminal(1) 	PC-V terminal(4) 		R Red B Blue A Black	
			带柄套 With handle cap(D) 黑=B 白=W 红=R 黄=Y 绿=G 蓝=BL	大型 Grand(G) 	特大型 Larfe handle(L) 	PC terminal(2) 	Long Solder terminal(5) 			
			塑料扁柄 Plastic flat(E) 	金属扁柄 Metal flat(E) 	长金属扁柄 Long Meta Flat(FL) 	PC-H terminal(3) 	铭牌 Nameplate 			

Specifications For MTS and RLS Series

Project 项目	Parameter 参数
规格 Rating	6A 125VAC; 3A 250VAC
接触电阻 Contact Resistance	≤ 20mΩ
绝缘电阻 Insulation Resistance	≥ 500VDC 1000MΩ

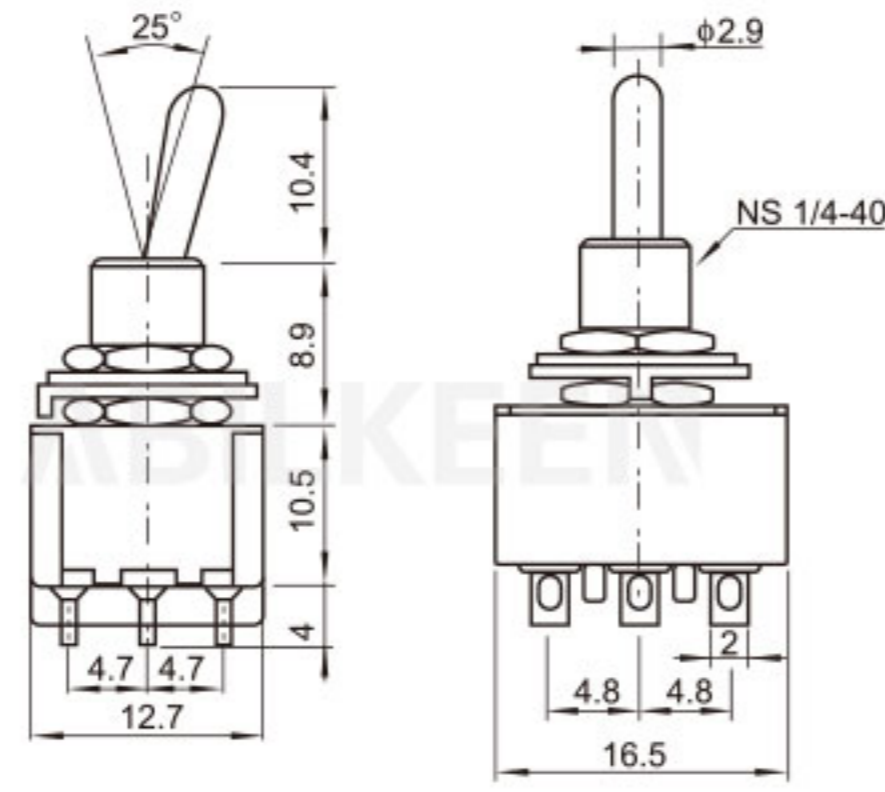
Project 项目	Parameter 参数
耐电压 Withstand Voltage	1500VAC, 1 min
操作温度 Operating Temperature	-25°C ~ +85°C
电气寿命 Electric Life	≥ 10,000 Cycles

 SPST 2P MTS-101 ON-OFF MTS-111 OFF-(ON)	 DPST 4P MTS-201 ON-OFF MTS-211 OFF-(ON)
 SPDT 3P MTS-102 ON-ON MTS-112 ON-(ON) MTS-123 (ON)-OFF-(ON)	 DPDT 6P MTS-202 ON-ON MTS-2033 ON-ON-ON MTS-213 ON-OFF-(ON)
 SPDT 3P MTS-103 ON-OFF-ON STS-113 ON-OFF-(ON)	 DPDT 6P MTS-203 ON-OFF-ON MTS-212 ON-(ON) MTS-223 (ON)-OFF-(ON)



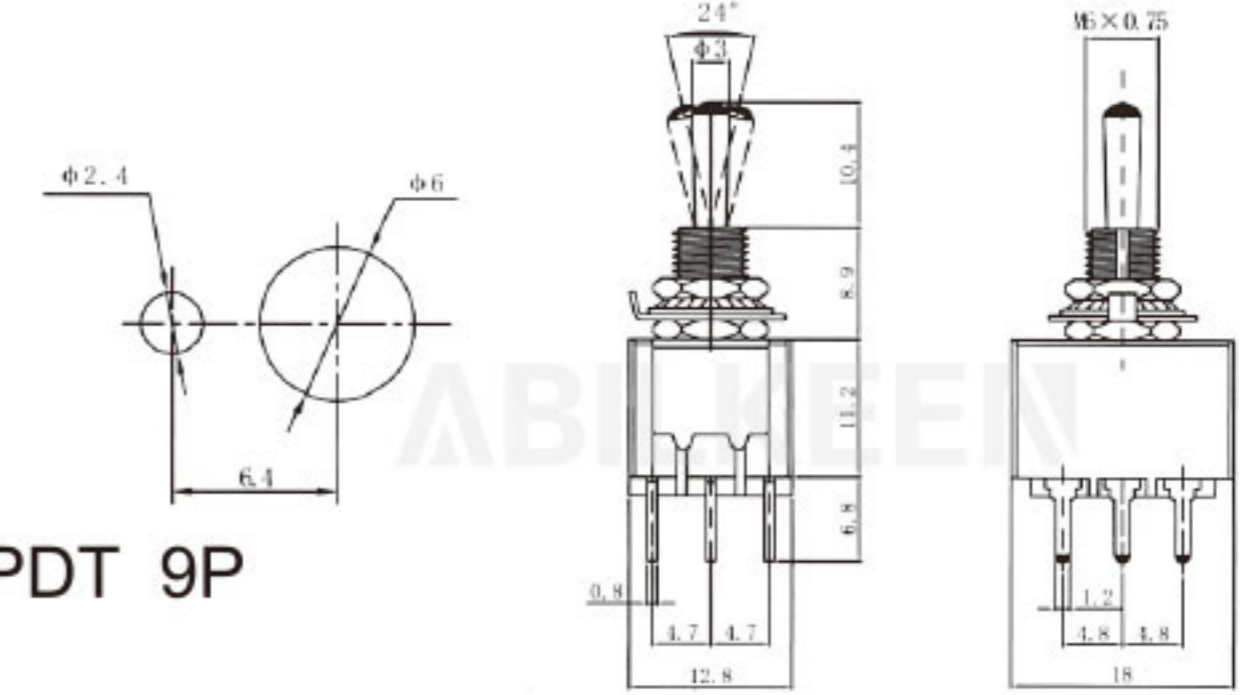
3PDT 9P

MTS-302 ON-ON
MTS-303 ON-OFF-ON



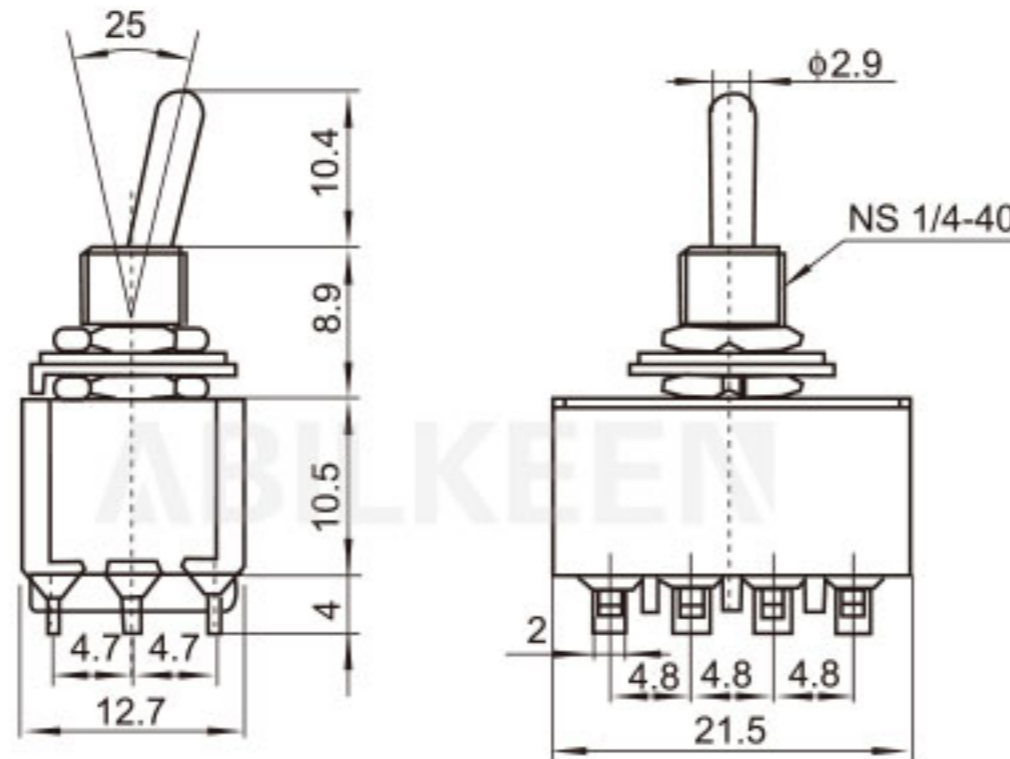
3PDT 9P

MTS-302-A2 ON-ON
MTS-303-A2 ON-OFF-ON



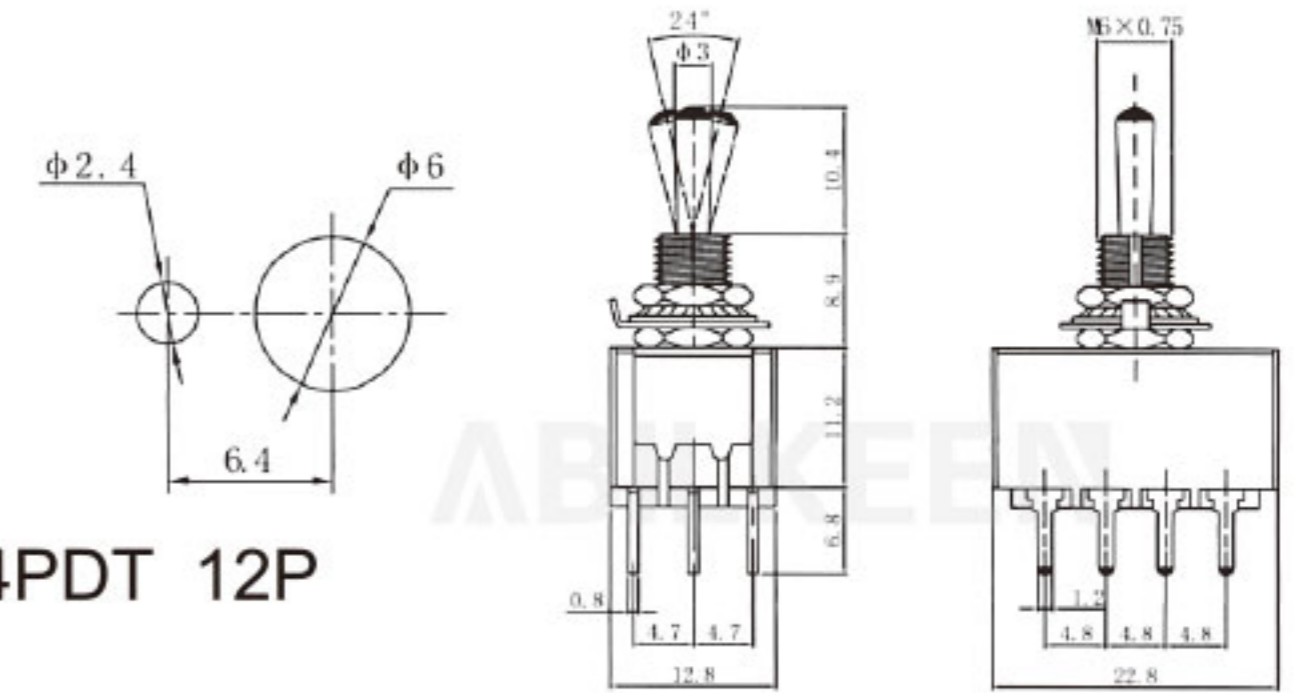
4PDT 12P

MTS-402 ON-ON
MTS-403 ON-OFF-ON



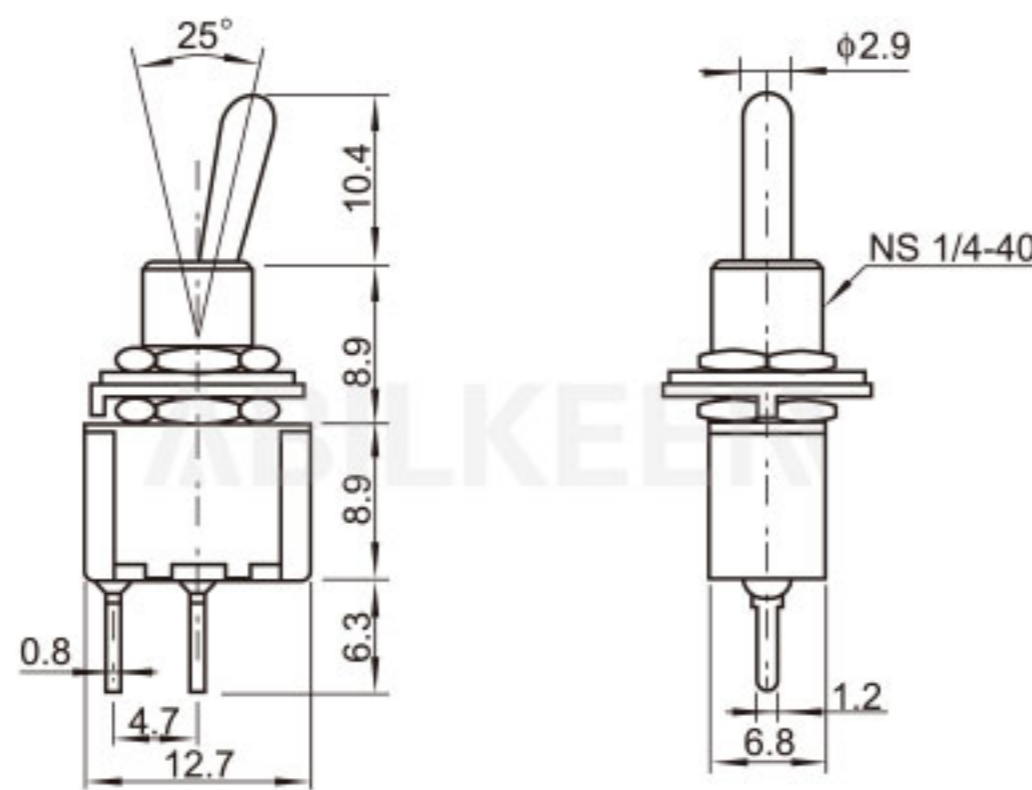
4PDT 12P

MTS-402-A2 ON-ON
MTS-403-A2 ON-OFF-ON



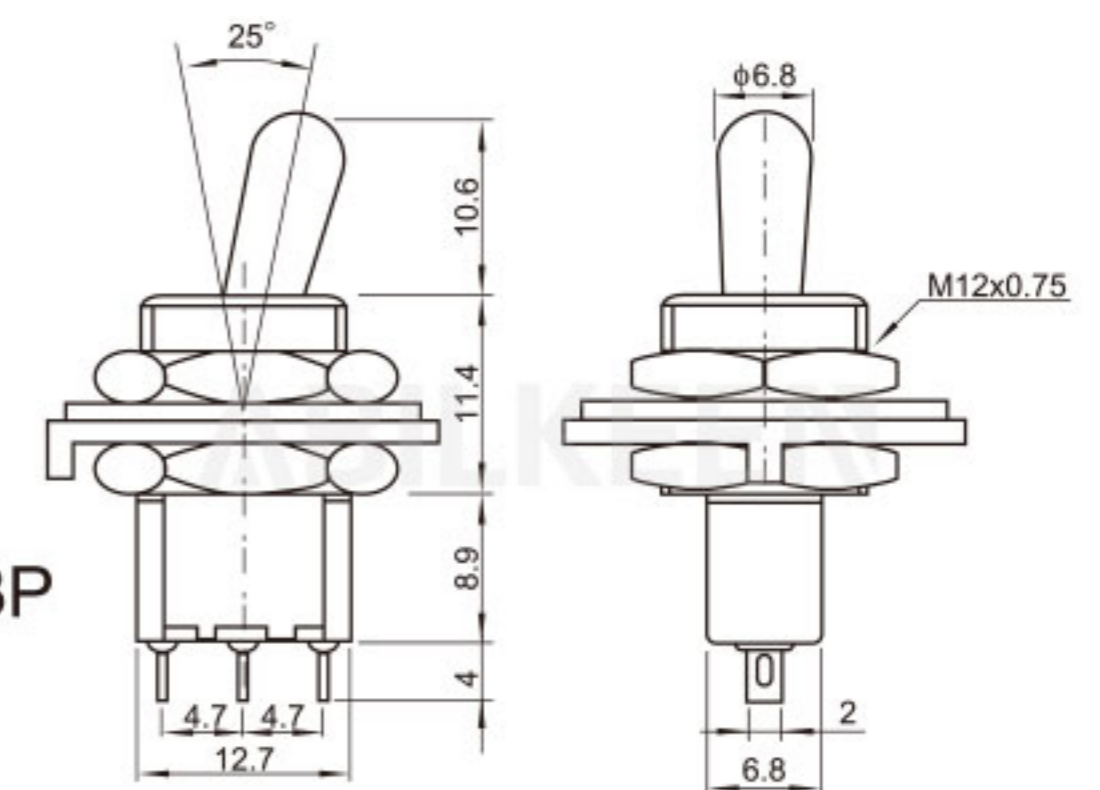
SPST 2P

MTS-101-A2 ON-ON
MTS-111-A2 OFF-(ON)



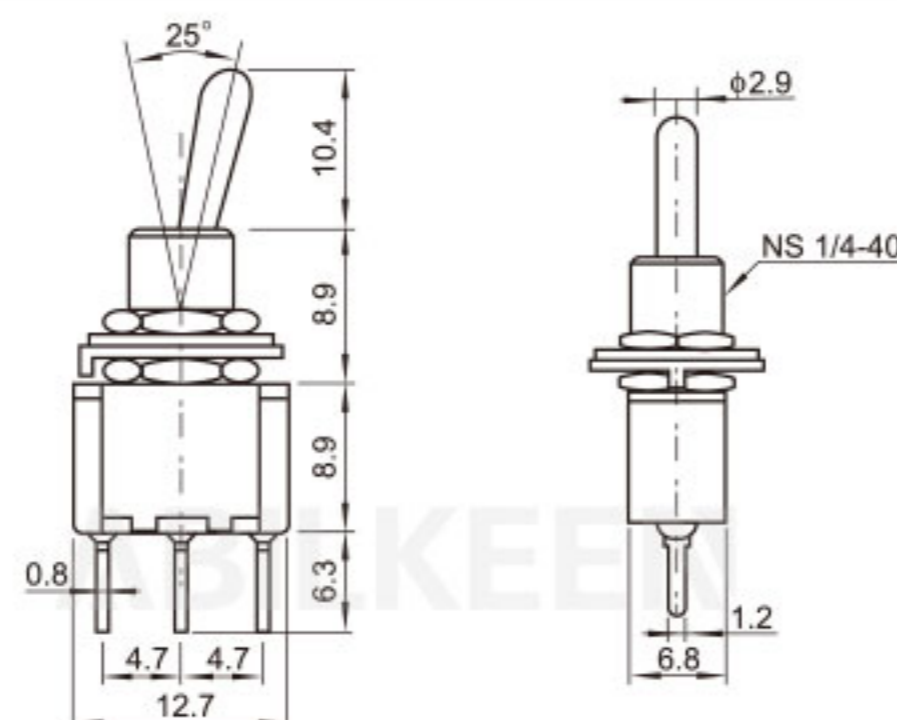
SPDT 3P

MTS-102-L1 ON-ON
MTS-103-L1 ON-OFF-ON



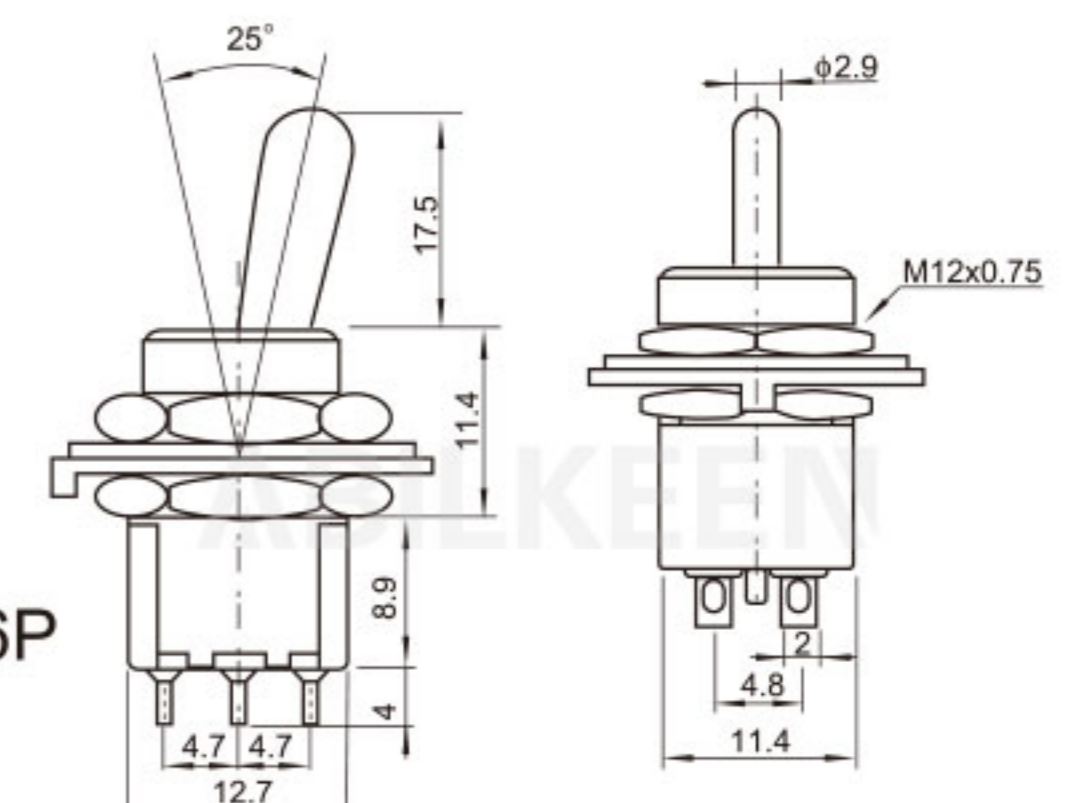
SPDT 3P

MTS-102-A2 ON-ON MTS-103-A2 ON-OFF-ON
MTS-112-A2 ON-(ON) MTS-113-A2 ON-OFF-(ON)
MTS-123-A2 (ON)-OFF-(ON)



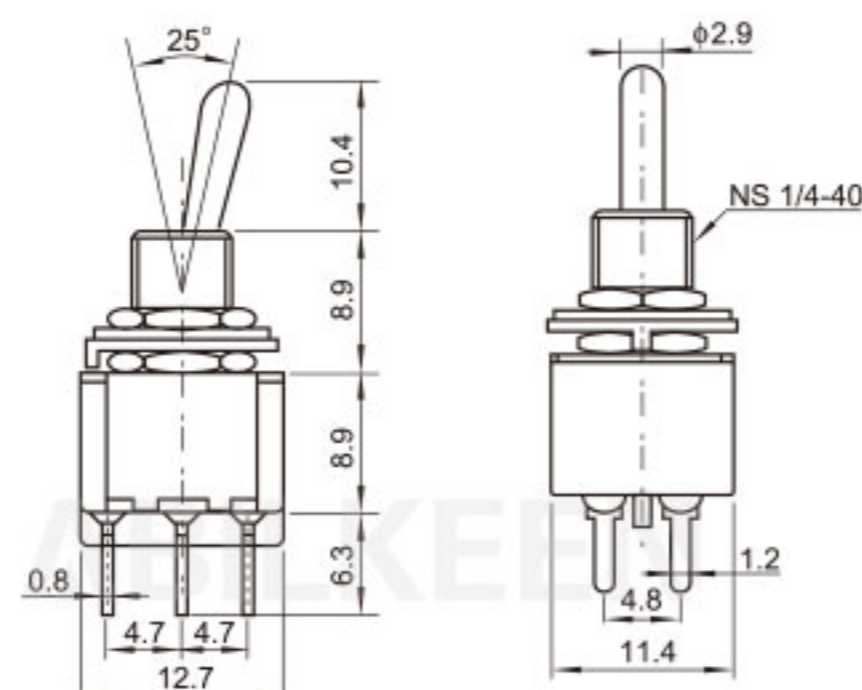
DPDT 6P

MTS-202-L1 ON-ON
MTS-203-L1 ON-OFF-ON



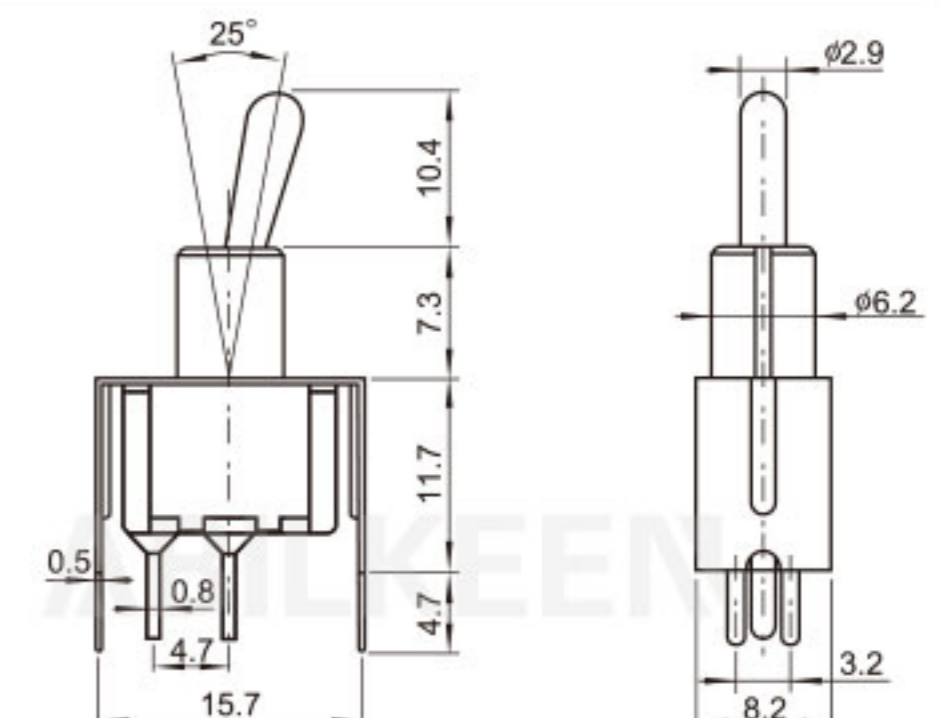
DPDT 6P

MTS-202-A2 ON-ON MTS-203-A2 ON-OFF-ON
MTS-212-A2 ON-(ON) MTS-213-A2 ON-OFF-(ON)
MTS-223-A2 (ON)-OFF-(ON)



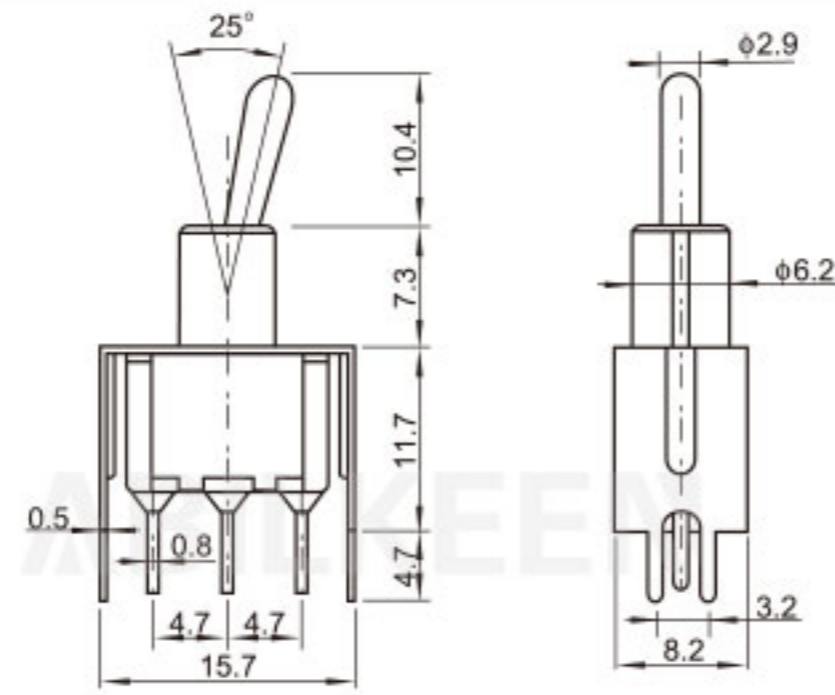
SPDT 3P

MTS-102-A2T ON-ON MTS-112-A2T ON-(ON)
MTS-103-A2T ON-OFF-ON MTS-113-A2T ON-OFF-(ON)
MTS-123-A2T (ON)-OFF-(ON)





DPDT 6P

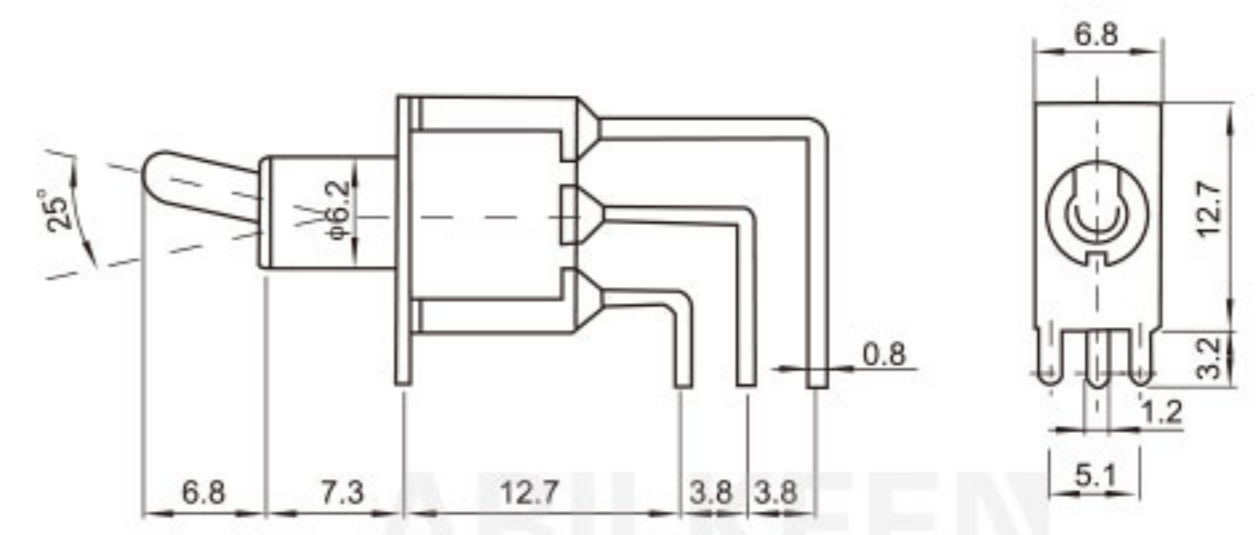


MTS-202-A2T ON-ON
MTS-203-A2T ON-OFF-ON
MTS-223-A2T (ON)-OFF-(ON)

MTS-212-A2T ON-(ON)
MTS-213-A2T ON-OFF-(ON)



SPDT 3P

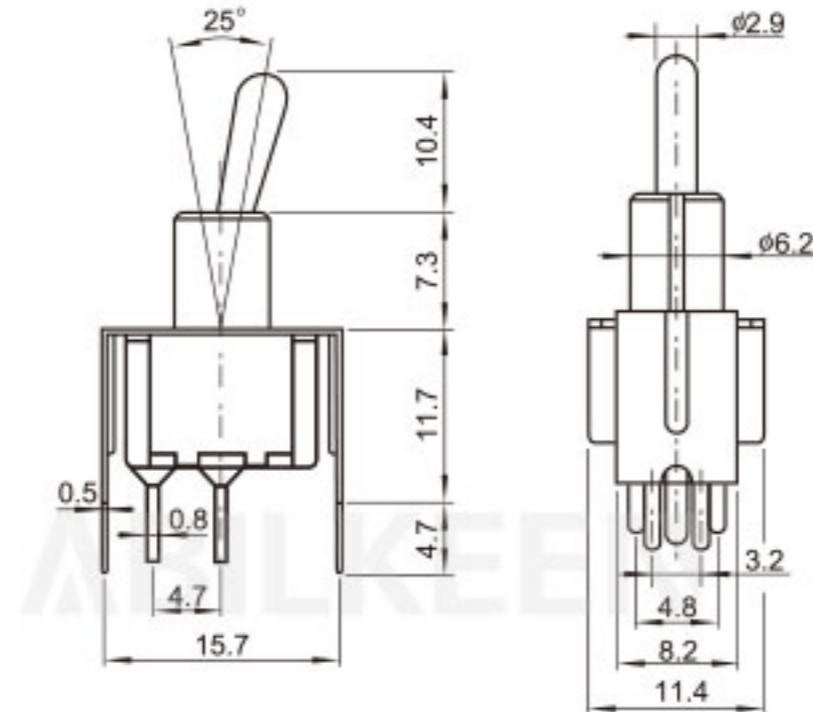


MTS-102-C4 ON-ON
MTS-103-C4 ON-OFF-ON
MTS-123-C4 (ON)-OFF-(ON)

MTS-112-C4 ON-(ON)
MTS-113-C4 ON-OFF-(ON)



3PDT 9P

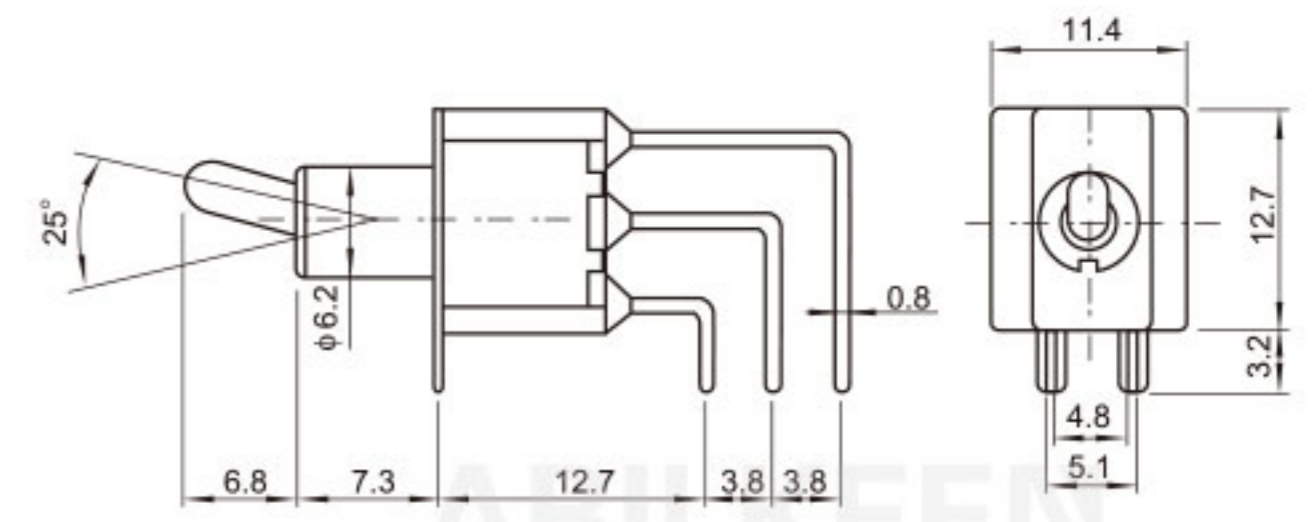


MTS-302-A2T ON-ON
MTS-303-A2T ON-OFF-ON
MTS-323-A2T (ON)-OFF-(ON)

MTS-312-A2T ON-(ON)
MTS-313-A2T ON-OFF-(ON)



DPDT 6P

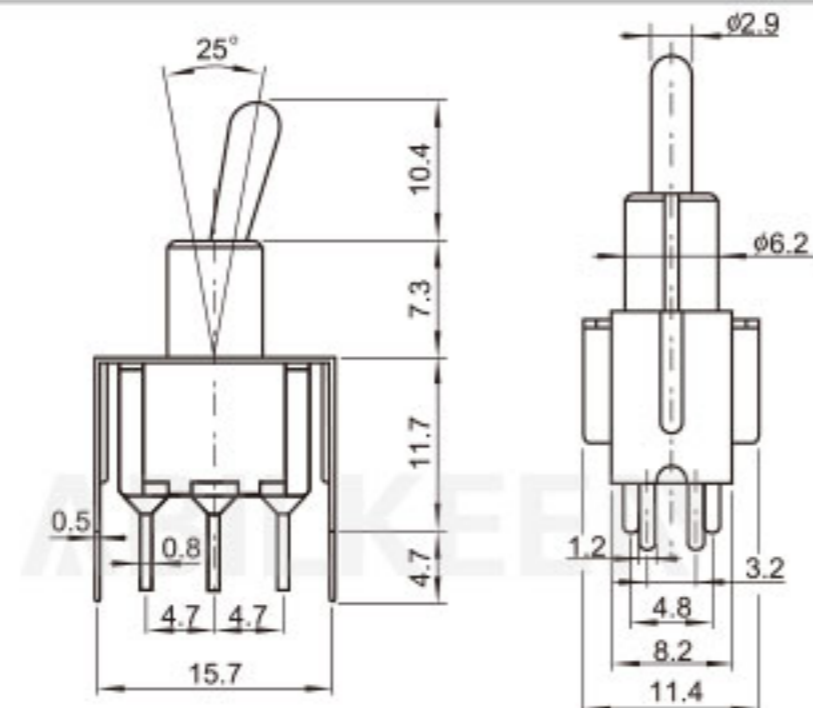


MTS-202-C4 ON-ON
MTS-203-C4 ON-(ON)
MTS-223-C4 (ON)-OFF-(ON)

MTS-212-C4 ON-OFF-ON
MTS-213-C4 ON-OFF-(ON)



4PDT 12P

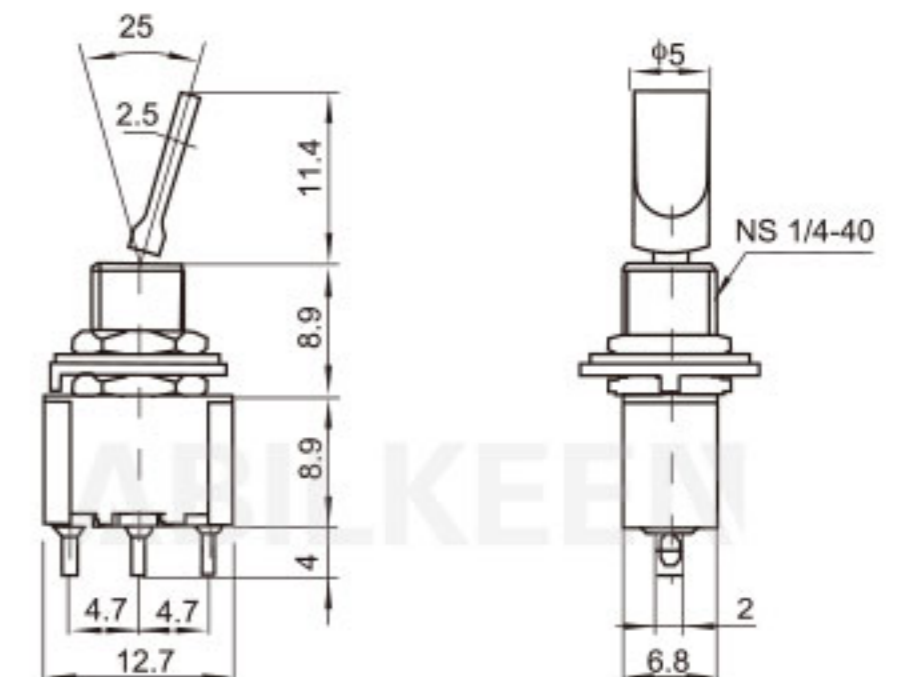


MTS-402-A2T ON-ON
MTS-403-A2T ON-OFF-ON
MTS-423-A2T (ON)-OFF-(ON)

MTS-412-A2T ON-(ON)
MTS-413-A2T ON-OFF-(ON)



3PDT 3P

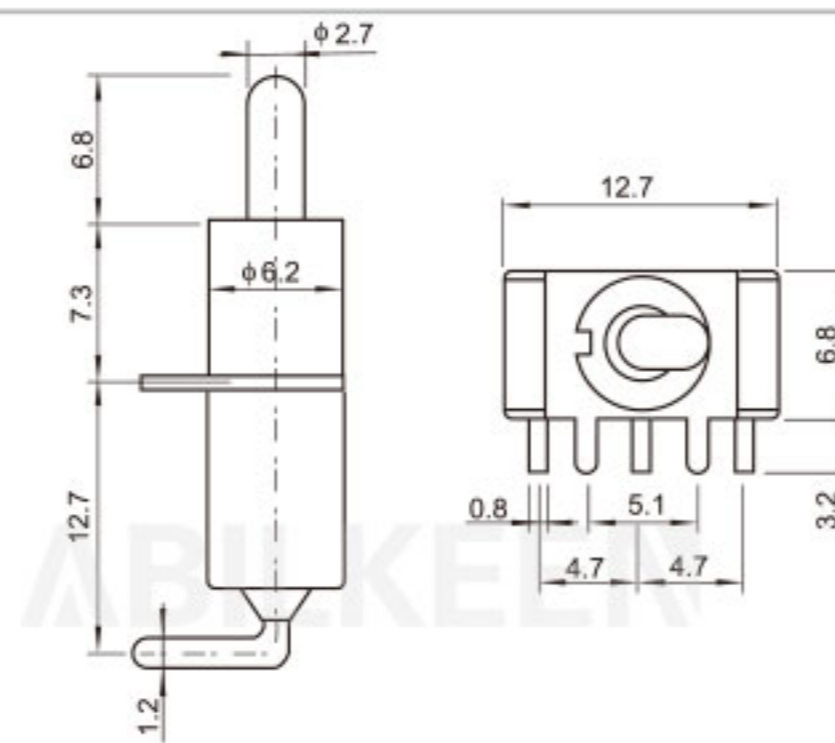


MTS-102-E1 ON-ON
MTS-103-E1 ON-OFF-ON
MTS-123-E1 (ON)-OFF-(ON) (Plastic Flat Lever)

MTS-112-E1 ON-(ON)
MTS-113-E1 ON-OFF-(ON)



SPDT 3P

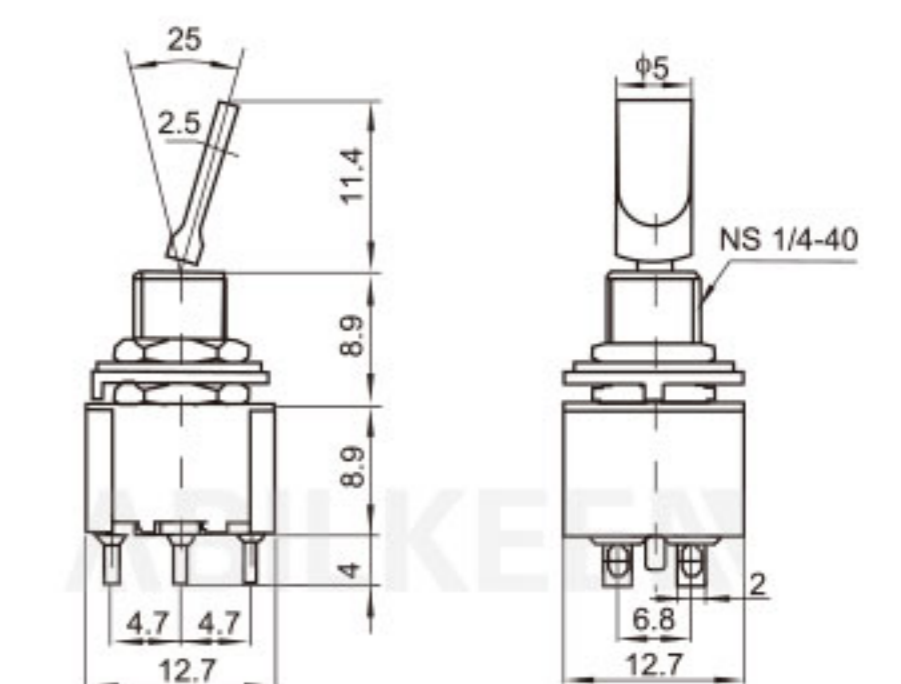


MTS-102-C3 ON-ON
MTS-103-C3 ON-OFF-ON
MTS-223-C3 (ON)-OFF-(ON)

MTS-112-C3 ON-(ON)
MTS-203-C3 ON-OFF-(ON)



DPDT 6P

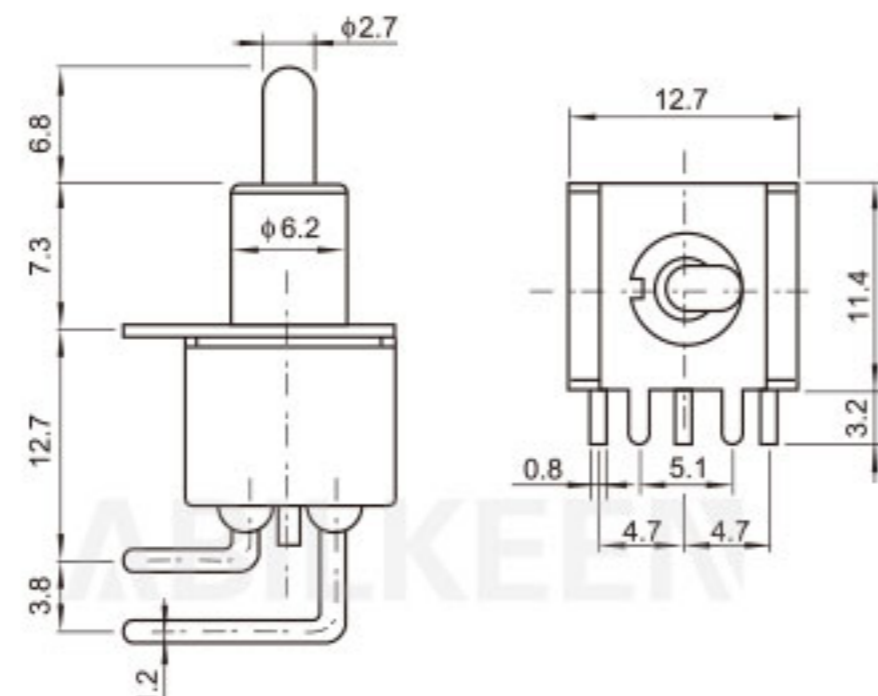


MTS-202-E1 ON-ON
MTS-203-E1 ON-OFF-ON
MTS-223-E1 (ON)-OFF-(ON) (Plastic Flat Lever)

MTS-212-E1 ON-(ON)
MTS-213-E1 ON-OFF-(ON)



DPDT 6P

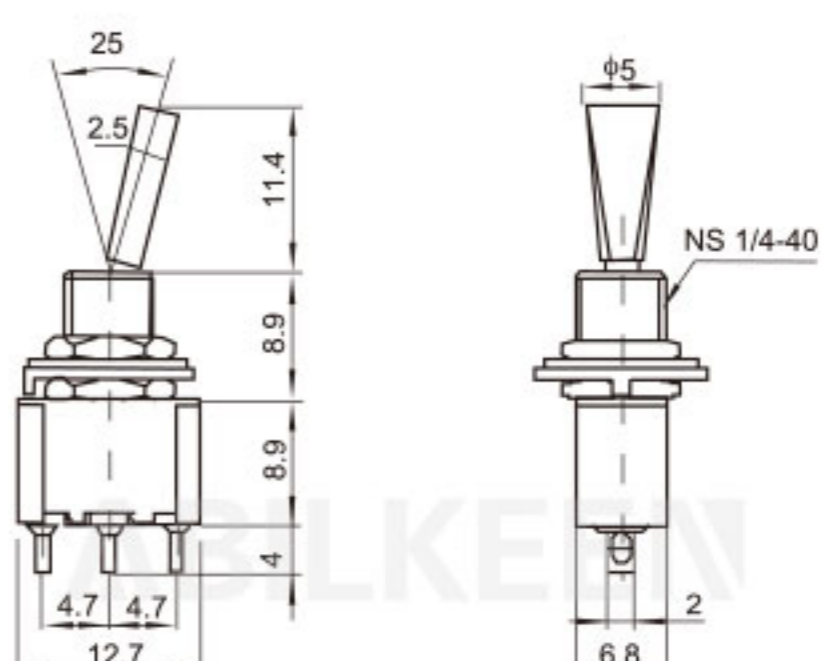


MTS-202-C3 ON-ON
MTS-203-C3 ON-(ON)
MTS-223-C3 (ON)-OFF-(ON)

MTS-212-C3 ON-OFF-ON
MTS-213-C3 ON-OFF-(ON)



SPDT 3P

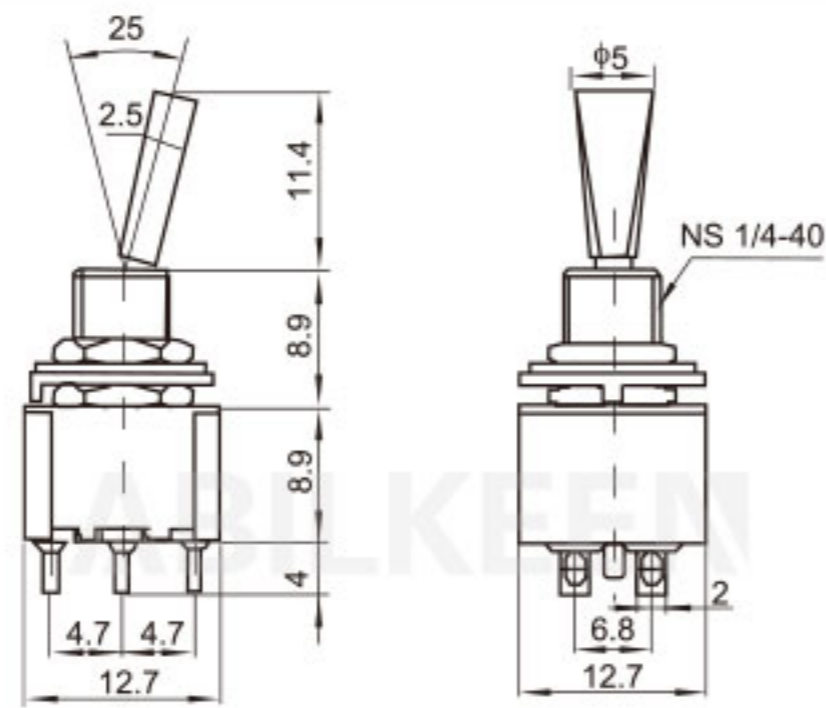


MTS-102-F1 ON-ON
MTS-103-F1 ON-OFF-ON
MTS-123-F1 (ON)-OFF-(ON) (Metal Flat Lever)

MTS-112-F1 ON-(ON)
MTS-113-F1 ON-OFF-(ON)



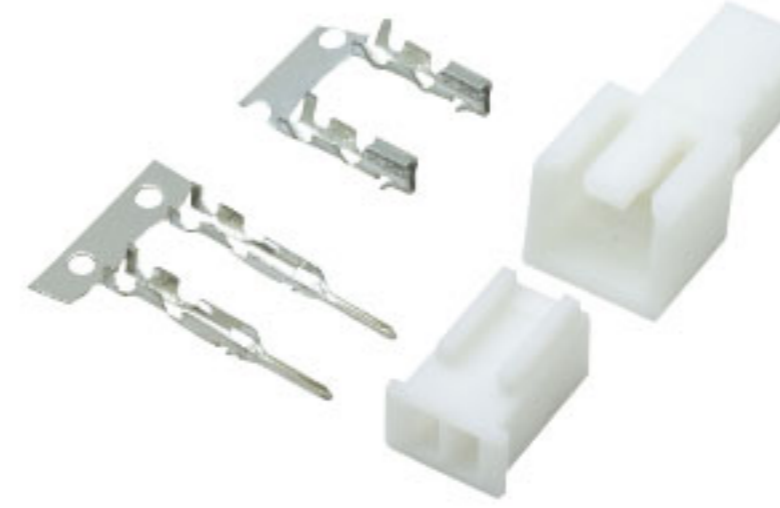
DPDT 6P



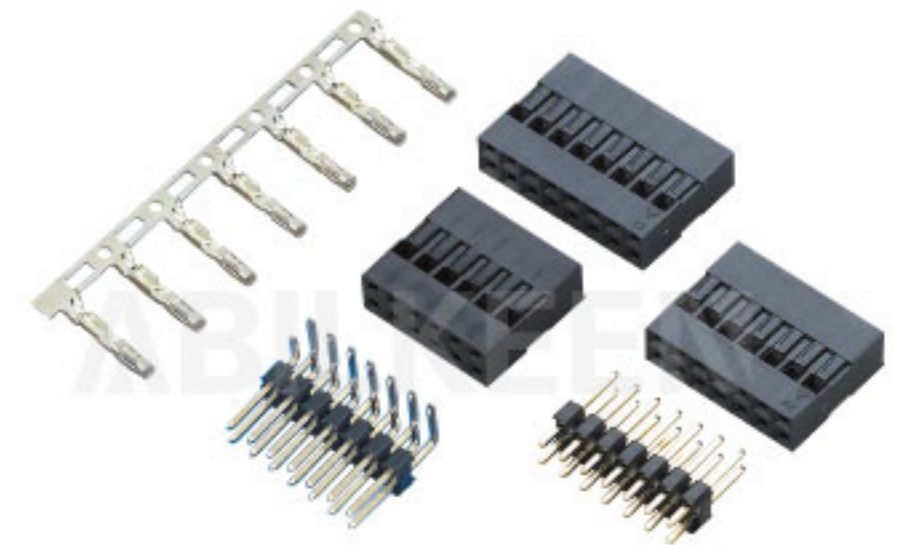
MTS-202-F1 ON-ON
 MTS-203-F1 ON-OFF-ON
 MTS-223-F1 (ON)-OFF-(ON) (Metal Flat Lever)

MTS-212-F1 ON-(ON)

MTS-213-F1 ON-OFF-(ON)



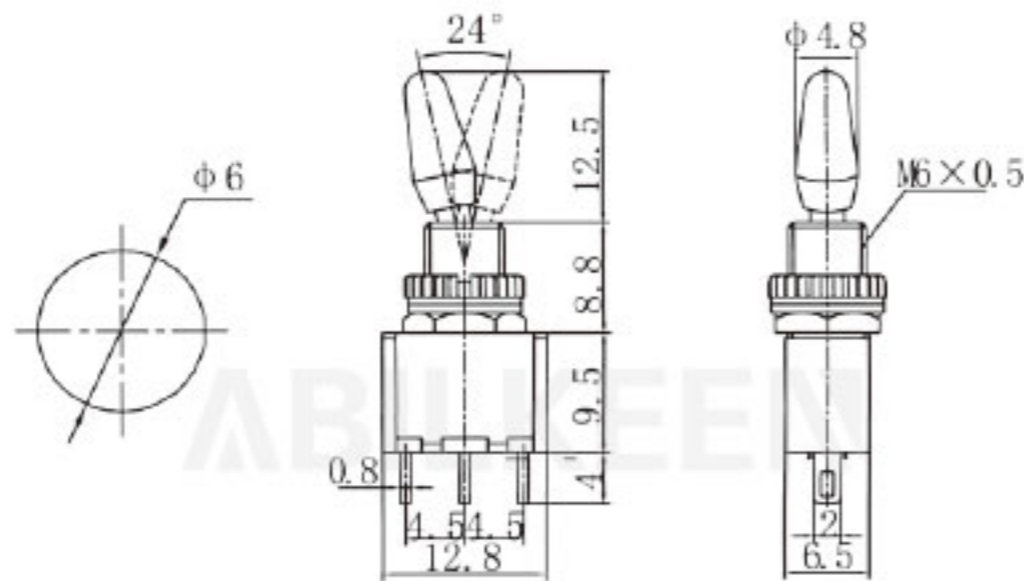
T003 5102/5240(2.5mm)



T004 TJC8/Dupont(2.54mm)



SPDT 3P



KNX-1-D1 ON-ON
 KNX-103-D1 ON-OFF-ON



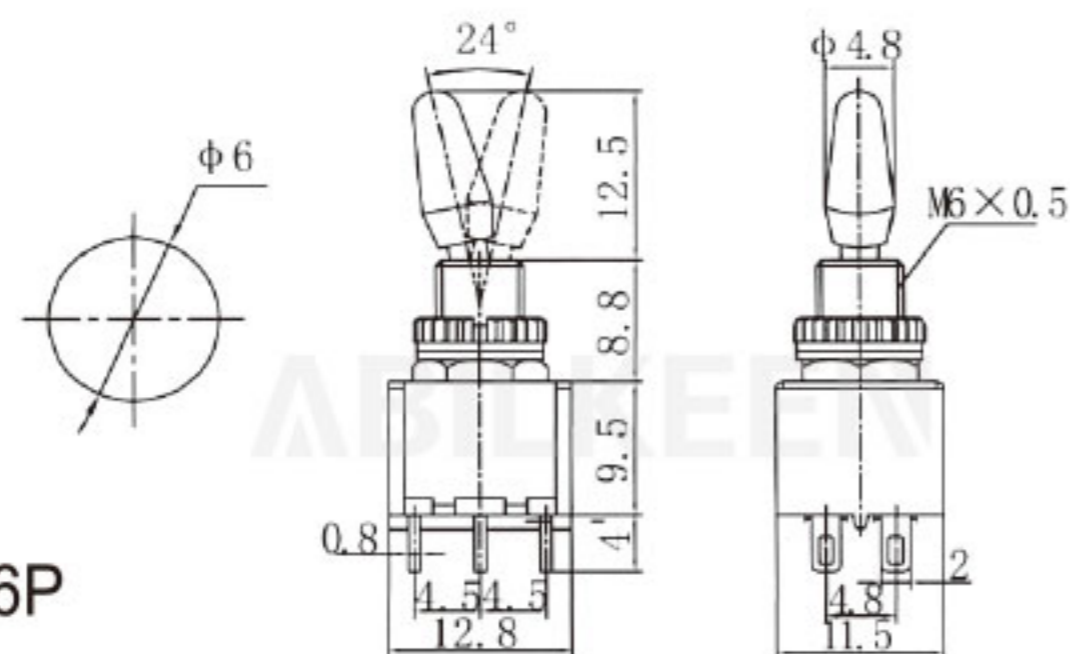
T005 5051/2510(2.54mm)



T006 TJC8/Dupont Unlock(2.54mm)



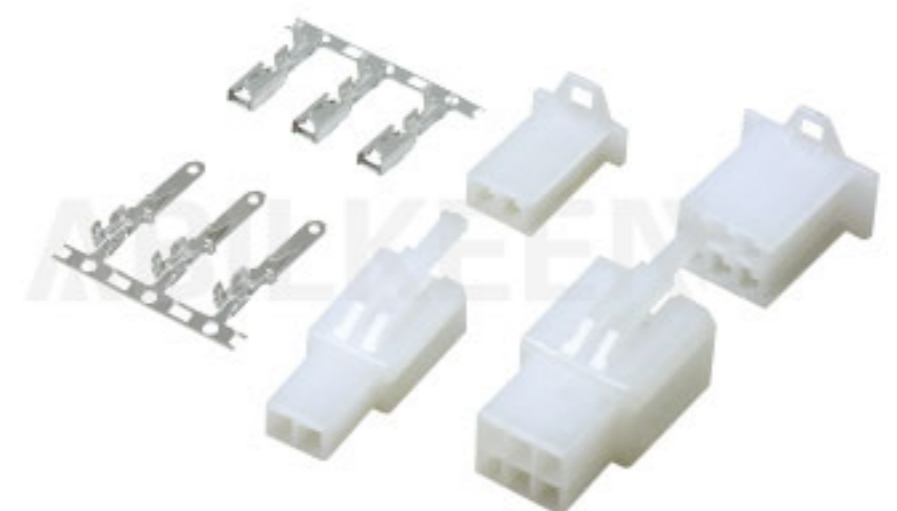
DPDT 6P



KNX-2-D1 ON-ON
 KNX-203-D1 ON-OFF-ON



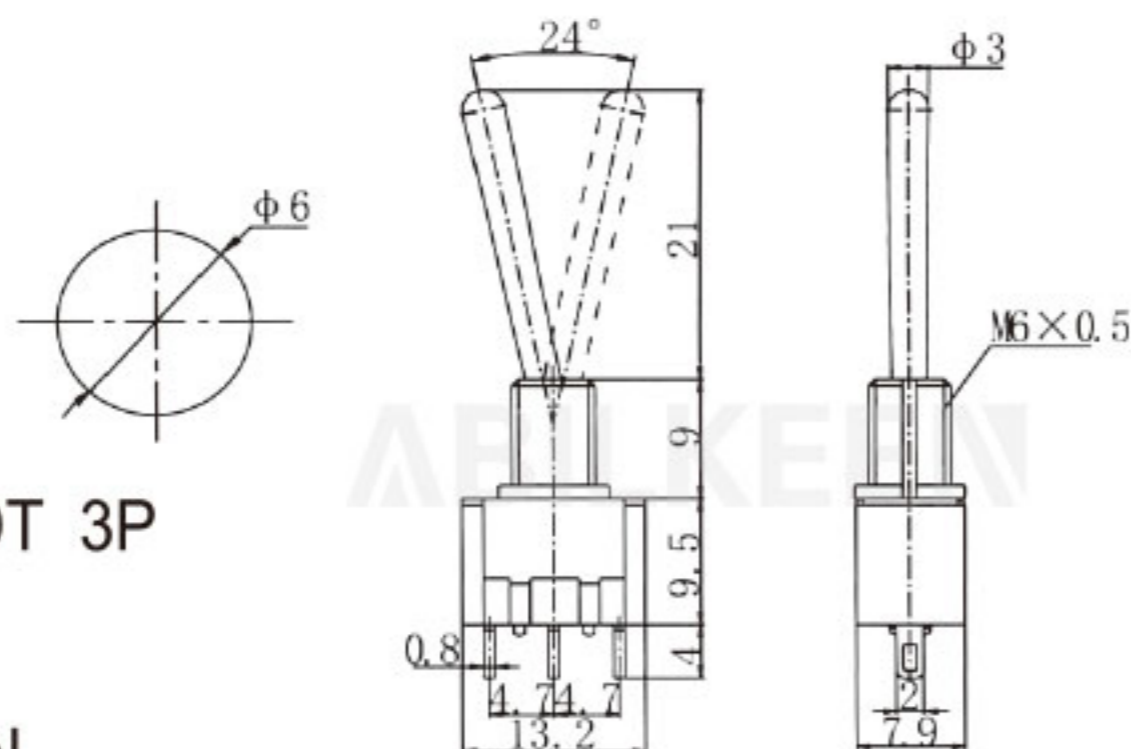
T007 BH3.5(3.5mm)



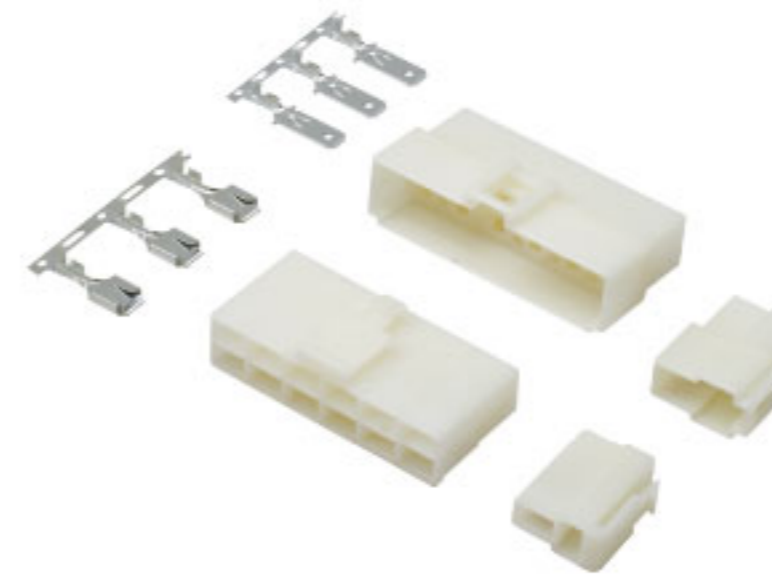
T008 110 For Car(4.0/5.0mm)



SPDT 3P



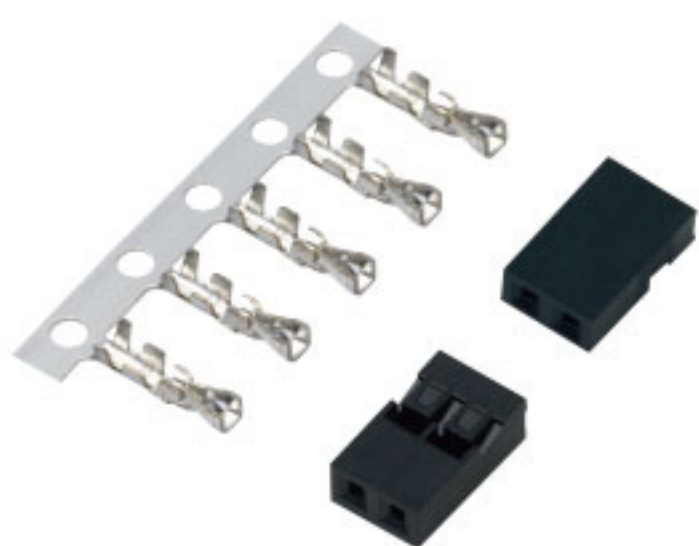
MTS-102-B1 ON-ON
 MTS-112-B1 ON-(ON)



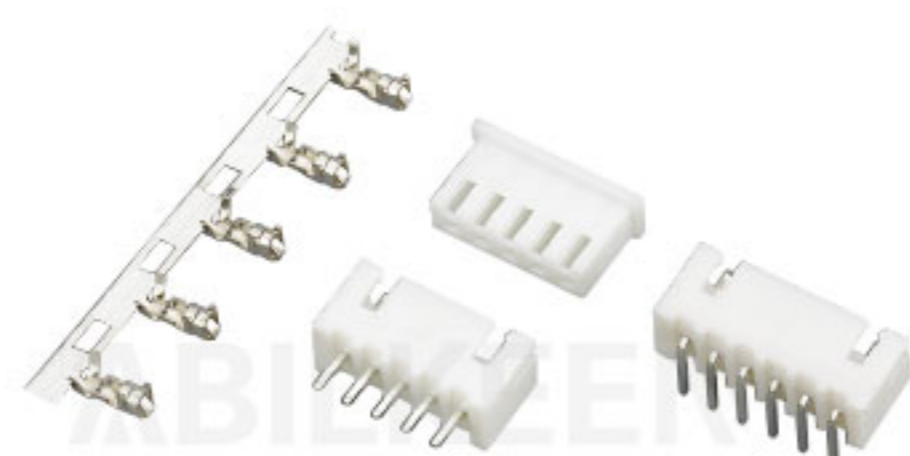
T009 250 For Car(9.0/6.0mm)



T010 (Straight)



T001 Dupont 2.0(2.0mm)



T002 XH/TJC3(2.5mm)



T011 (Flag-shapde)



T012(Ring)

Toggle Switch Description 钮子开关型号说明

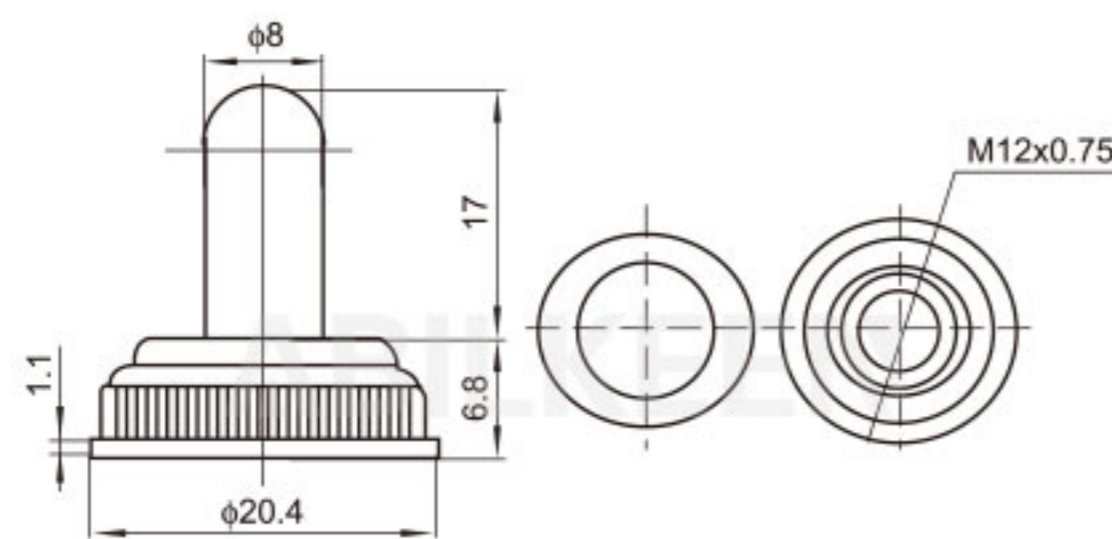
For example: KN3(C)-102APE-A

KN3(C)	1	02	A	P	E	A		
Housing shape 钮子外壳类型	Poles 刀数	Switch Function 电路特性	Rating 规格	Terminals options 端子种类		Handle options 手柄种类		Housing color 基座颜色
A	1: 1 Pole	01: ON-OFF		Screw terminal () 	Solder terminal (S) 	() 	(C) 	A Black N Brown O Orange
B	2: 2 Pole	02: ON-ON		PC terminal (P) 	Press terminal (T) 	(D) 	(L) 	
C	3: 3 Pole	11: OFF-(ON)		Hitch terminal (R) 		(E) 		
D	4: 4 Pole	12: ON-(ON) (单复位)						
E		03: ON-OFF-ON						
		13: ON-OFF-(ON) (单复位)						
		23: (ON)-OFF-(ON) (双复位)						
		(): 回弹指示						
		Indicates Momentary						

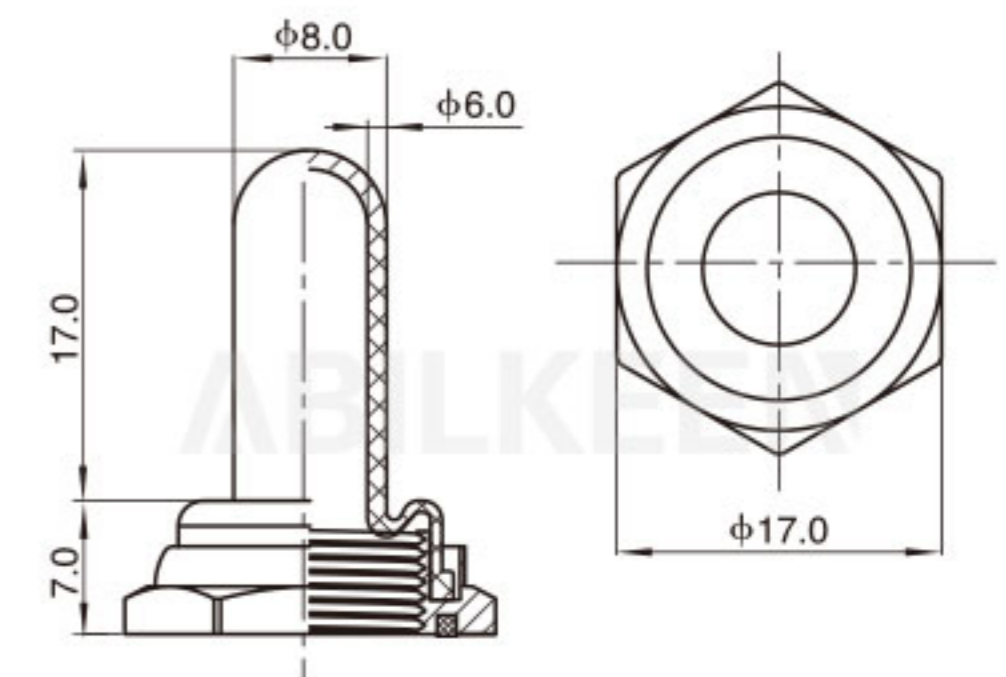
Specifications For KN Series

Project 项目	Parameter 参数
规格 Rating	() 10A 125VA; 6A 250VAC (A) 15A 125VAC; 10A 250VAC (AA) 20A 125VAC; 15A 250VAC
接触电阻 Contact Resistance	≤ 50mΩ

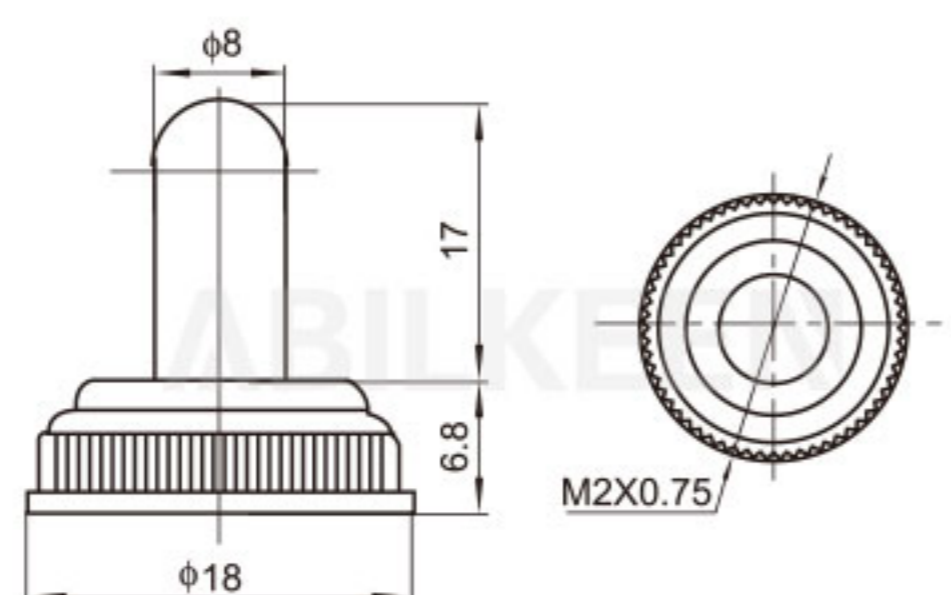
Project 项目	Parameter 参数
绝缘电阻 Insulation Resistance	≥ 500VDC 1000MΩ
耐电压 Withstand Voltage	1500VAC, 1 min
操作温度 Operating Temperature	-25℃ ~ +85℃
电气寿命 Electric Life	≥ 10,000 Cycles



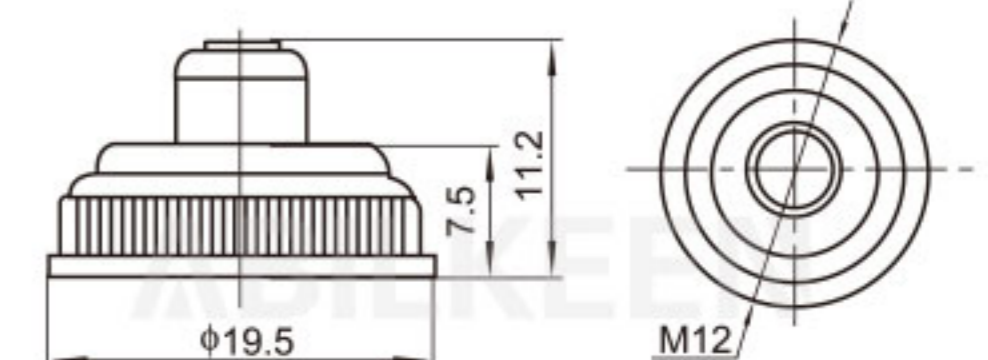
WPC-TS02
M12X0.75 M12X1.0



WPC-TS04
M12X0.75



WPC-TS03
M12X0.75

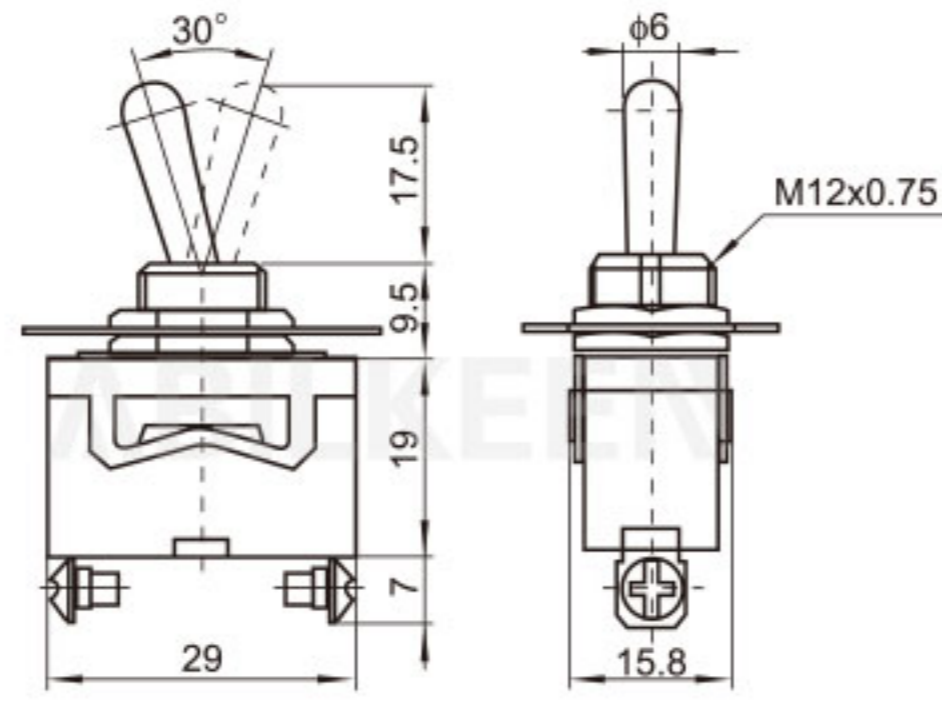
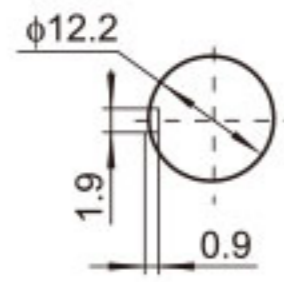


WPC-TS05
M12X0.75 M12X1.0



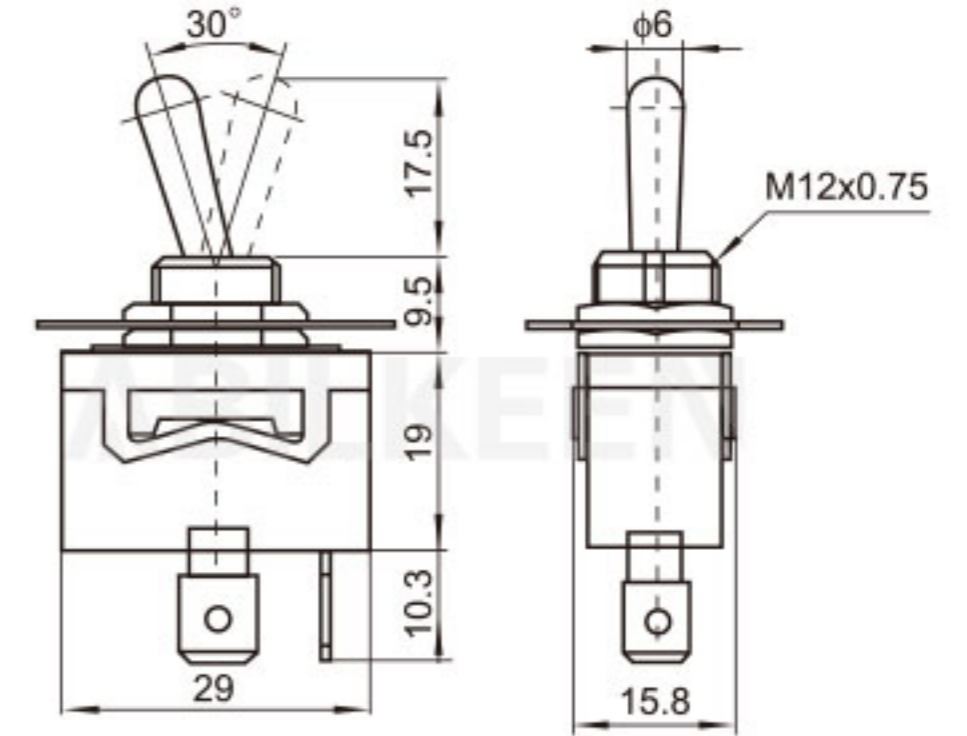
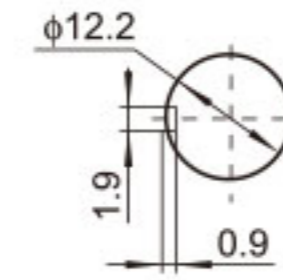
SPST 2P

KN3(C)-101 ON-OFF
KN3(C)-111 OFF-(ON)



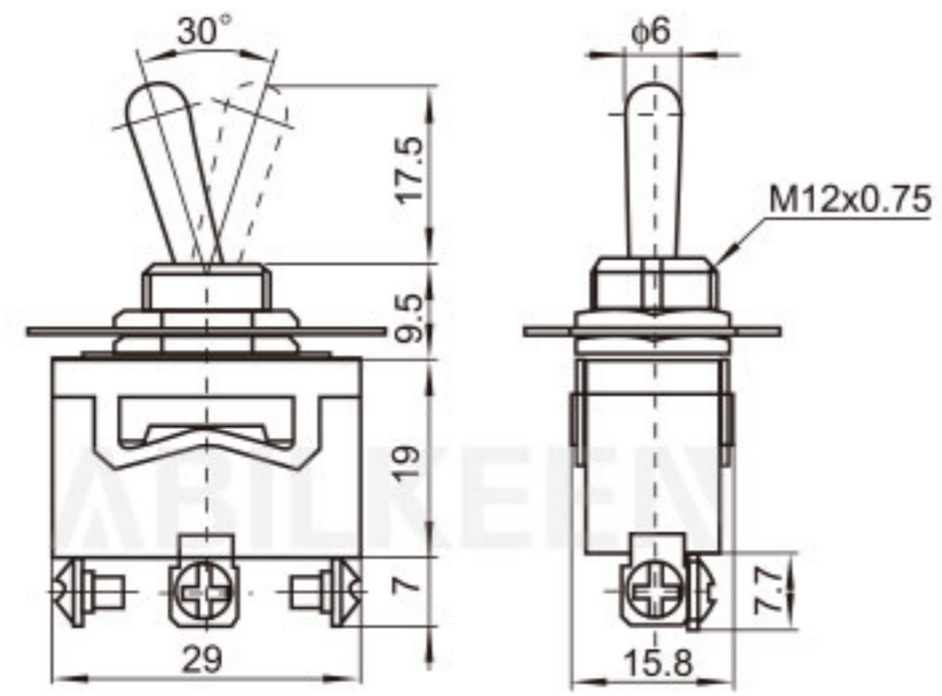
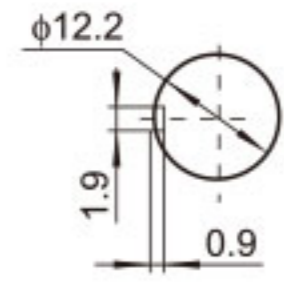
SPST 2P

KN3(C)-101MP ON-OFF



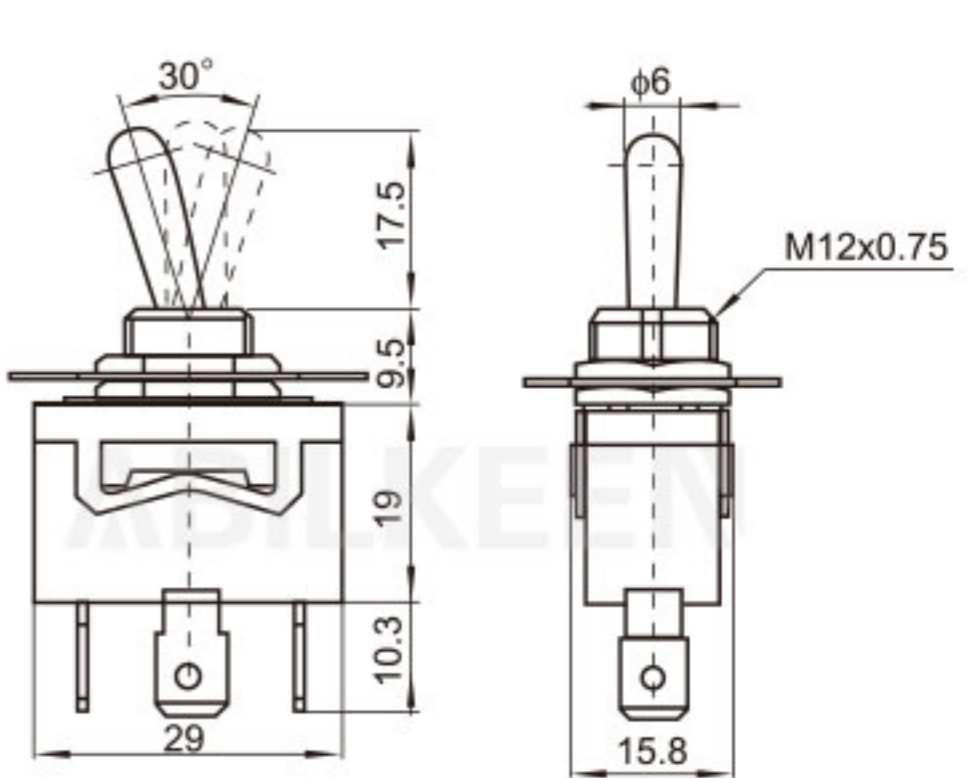
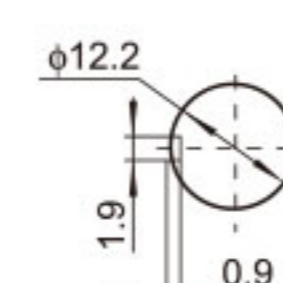
SPST 3P

KN3(C)-102 ON-ON
KN3(C)-103 ON-OFF-ON
KN3(C)-113 ON-OFF-(ON)



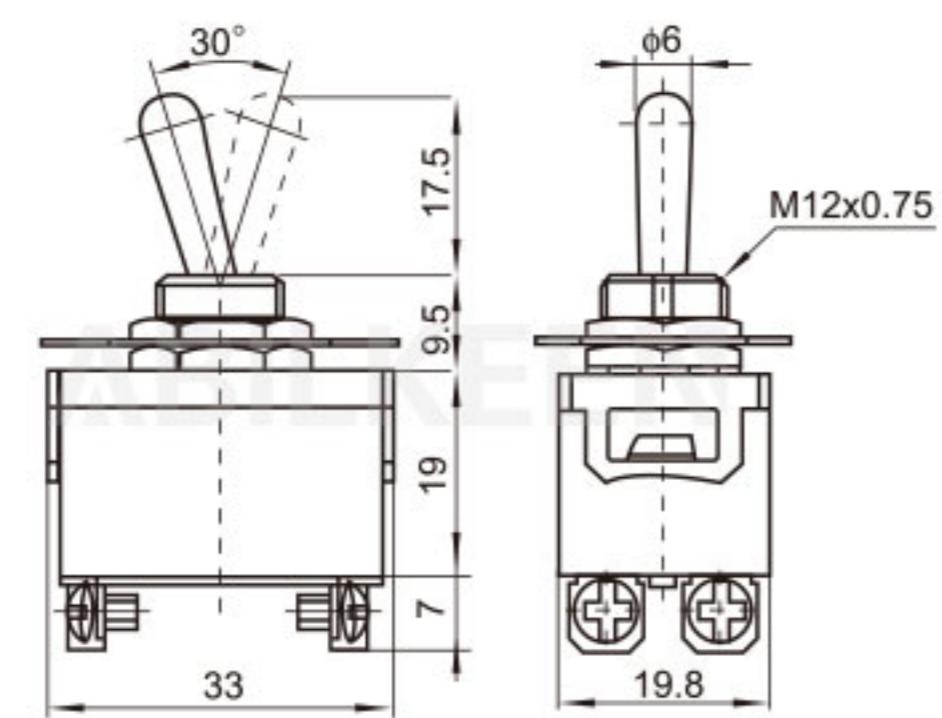
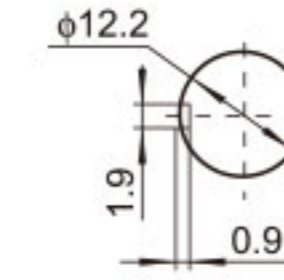
SPDT 3P

KN3(C)-102P ON-ON
KN3(C)-112P ON-(ON)



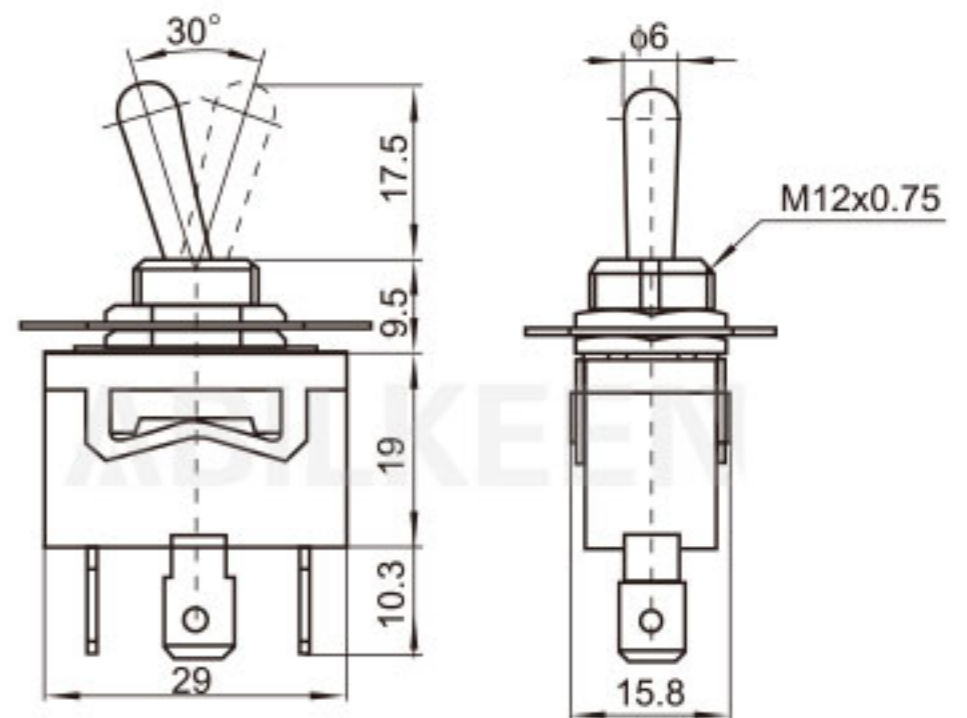
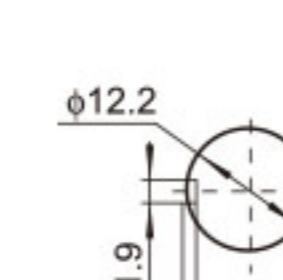
DPST 4P

KN3(C)-201 ON-OFF
KN3(C)-211 OFF-(ON)



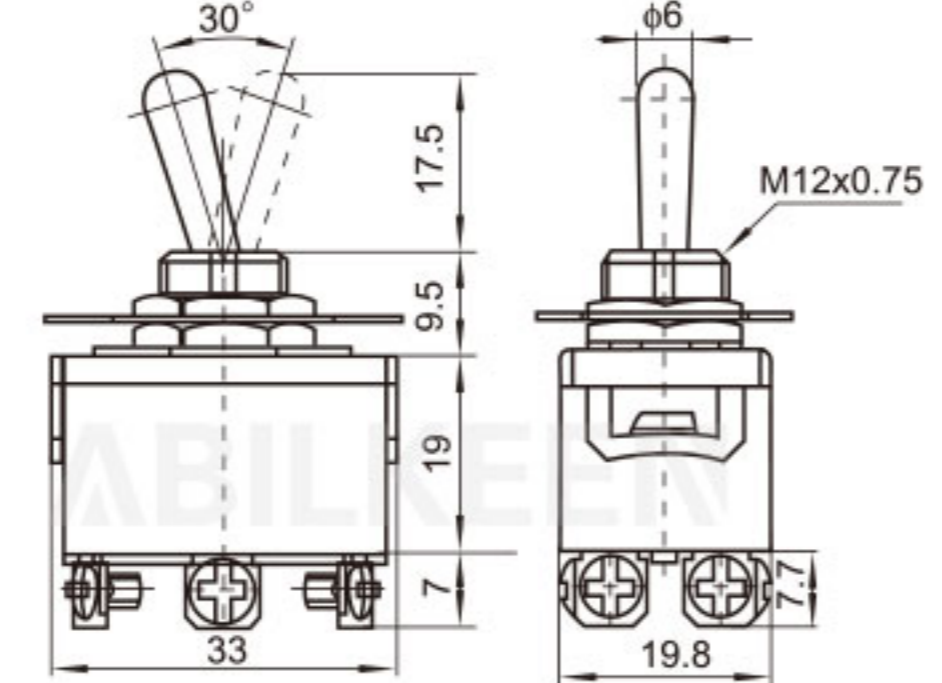
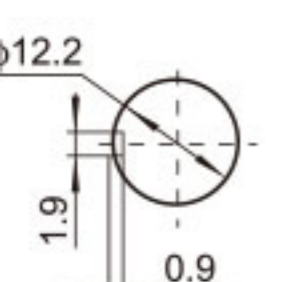
SPDT 3P

KN3(C)-103P ON-OFF-ON
KN3(C)-113P ON-OFF-(ON) KN3(C)-123P (ON)-OFF-(ON)



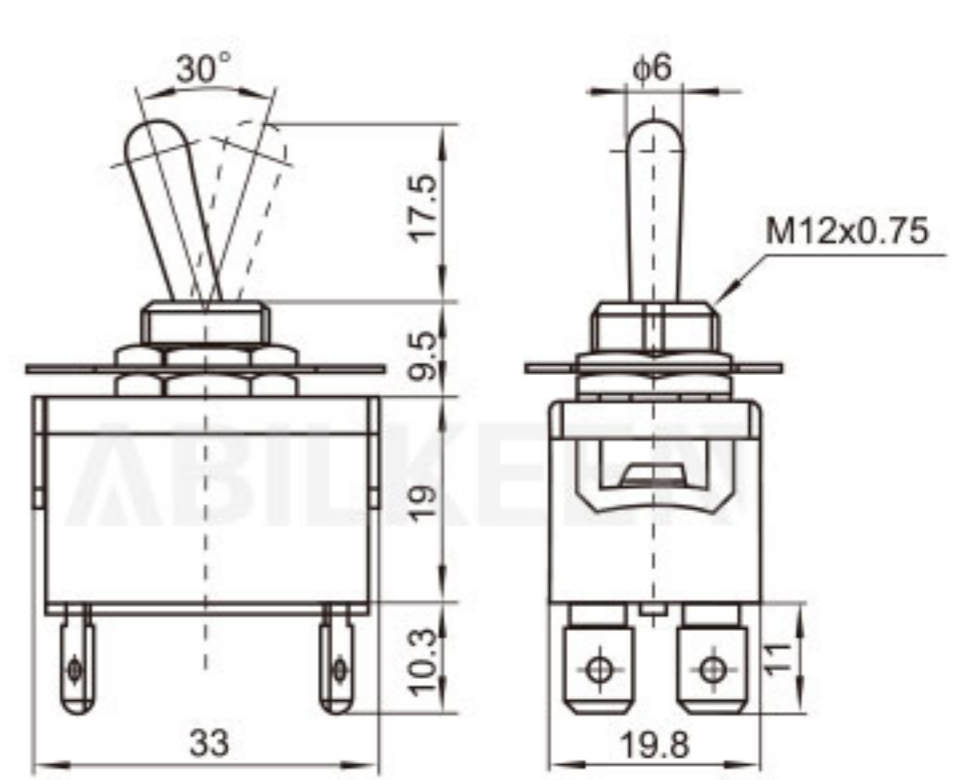
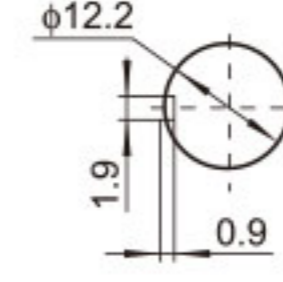
DPDT 6P

KN3(C)-202 ON-ON
KN3(C)-212 ON(ON)
KN3(C)-213 ON-OFF-(ON)



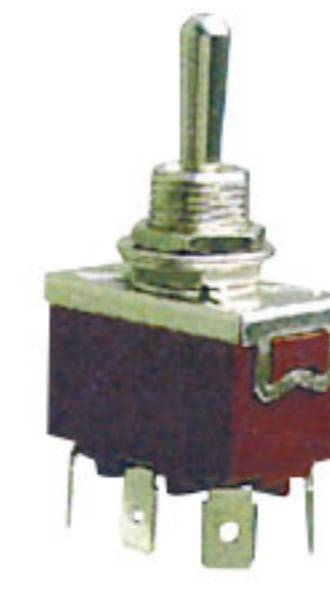
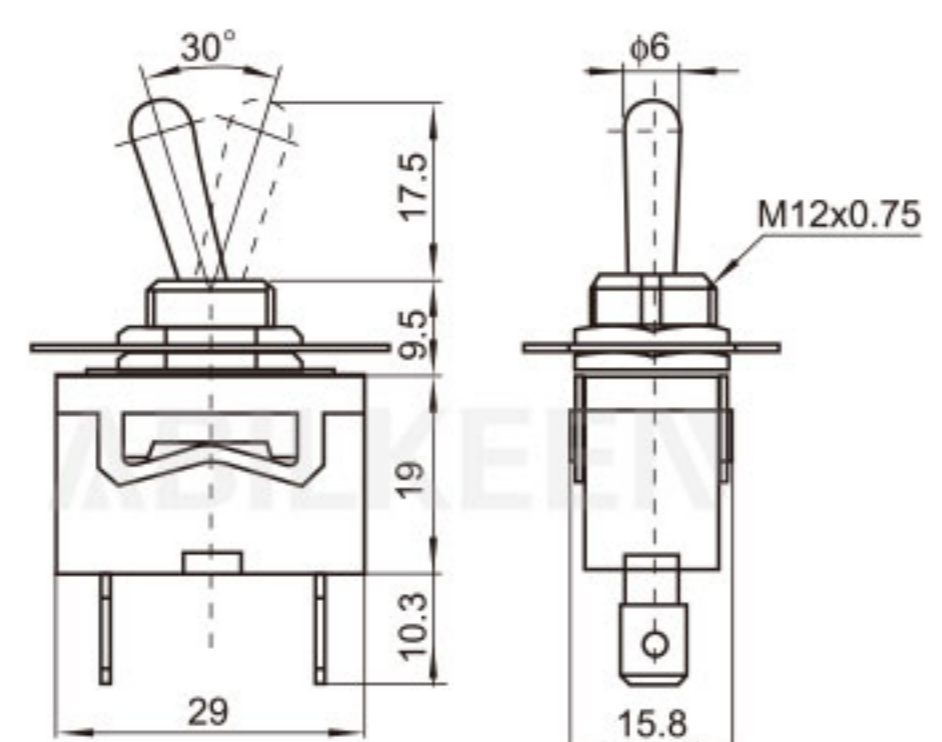
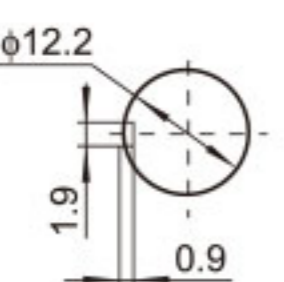
DPST 4P

KN3(C)-201P ON-OFF
KN3(C)-211P ON-(ON)



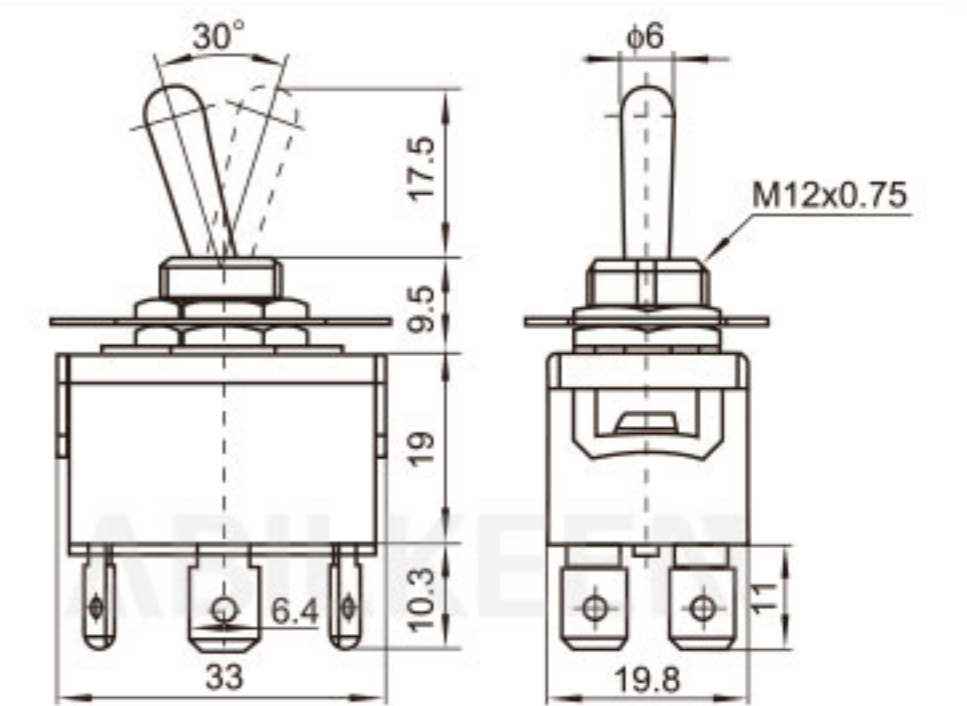
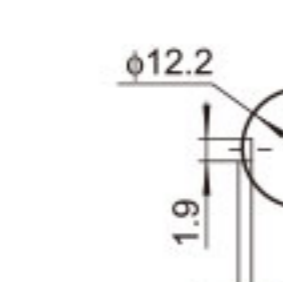
SPST 2P

KN3(C)-101P ON-OFF
KN3(C)-111P OFF-(ON)



DPDT 6P

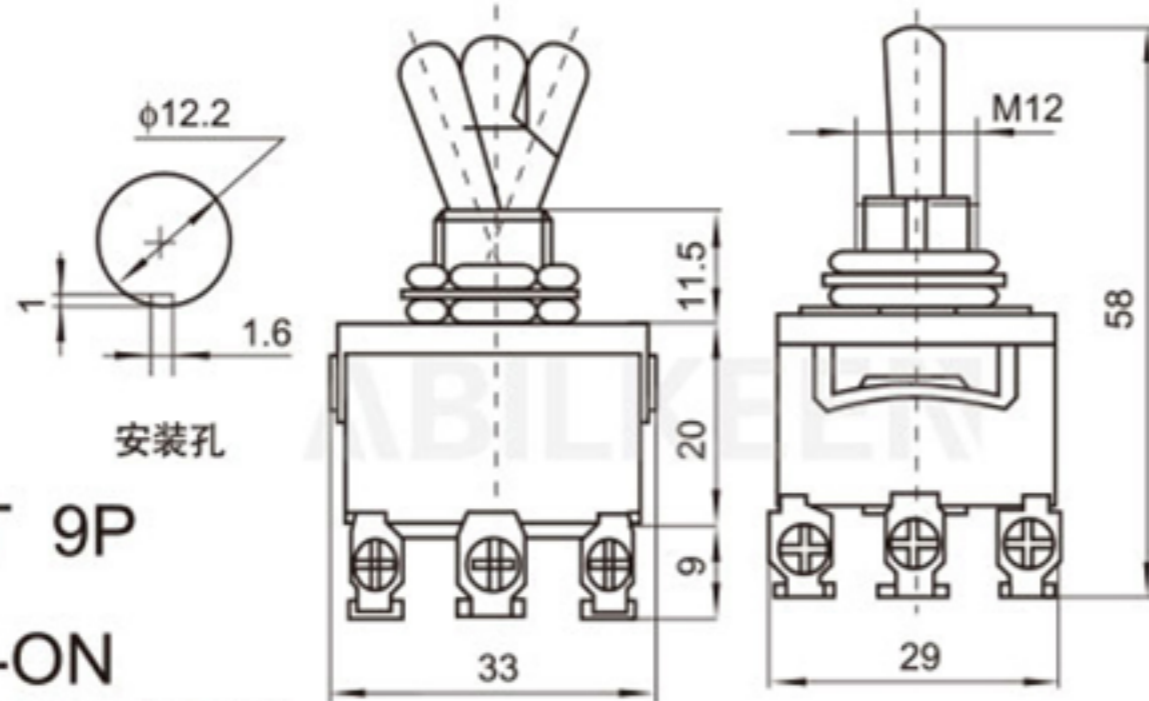
KN3(C)-202P ON-ON KN3(C)-213P ON-OFF-(ON)
KN3(C)-212P ON(ON) KN3(C)-223P (ON)-OFF-(ON)
KN3(C)-203P ON-OFF-ON



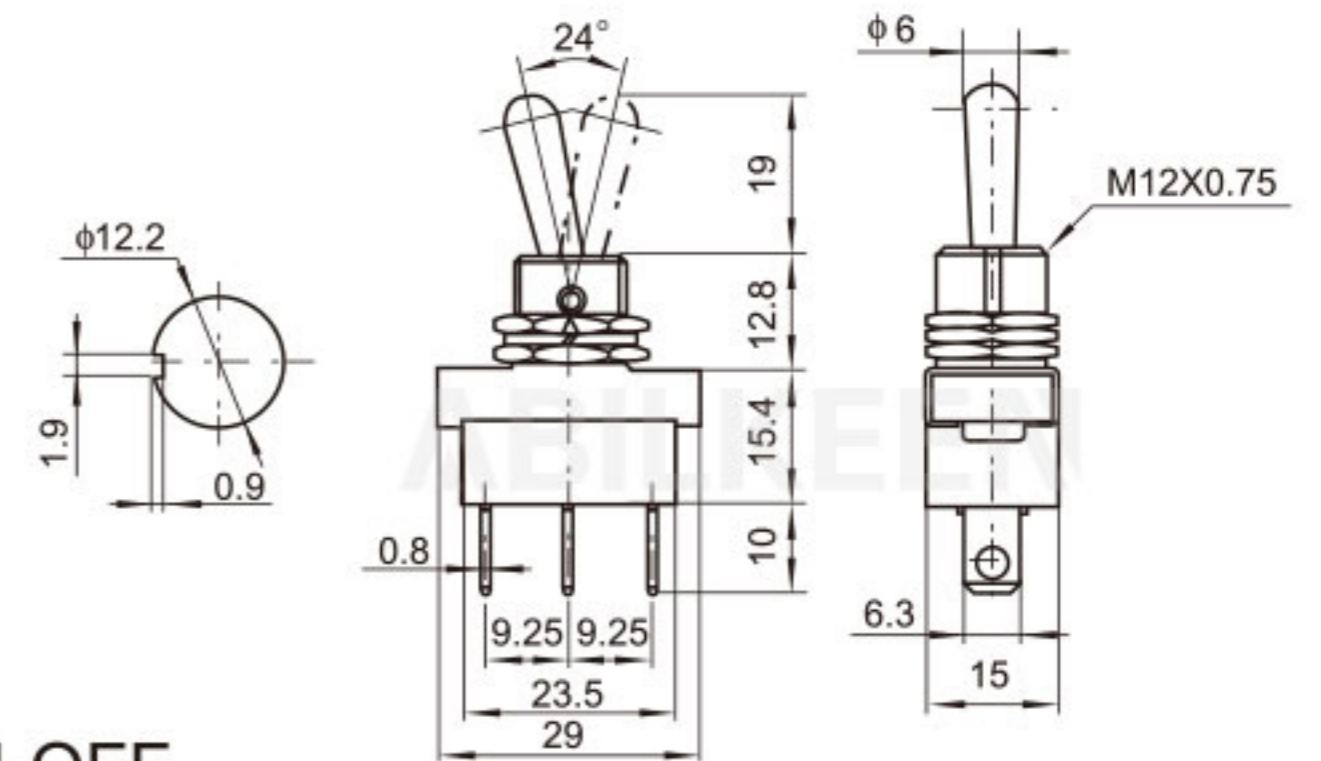


3PDT 9P

KN3(C)-302(P) ON-ON
KN3(C)-303(P) ON-OFF-ON
15A 250VAC; 20A 125VAC

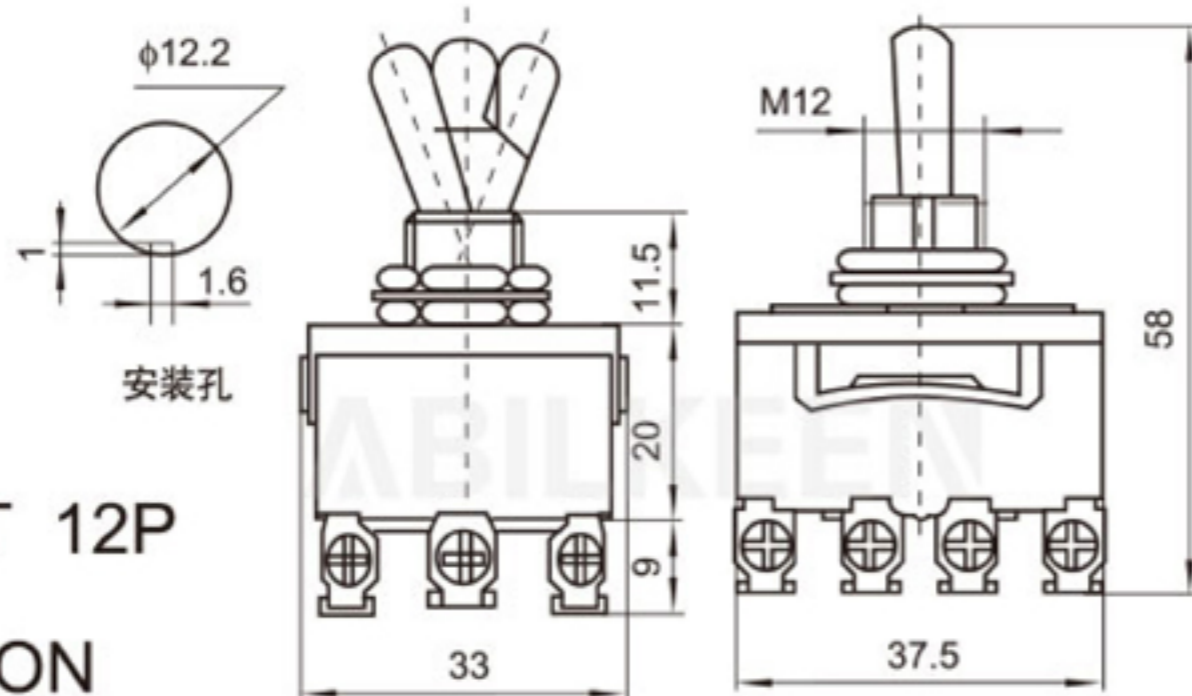


KN3(D)-102 ON-OFF
KN3(D)-103 ON-OFF-ON

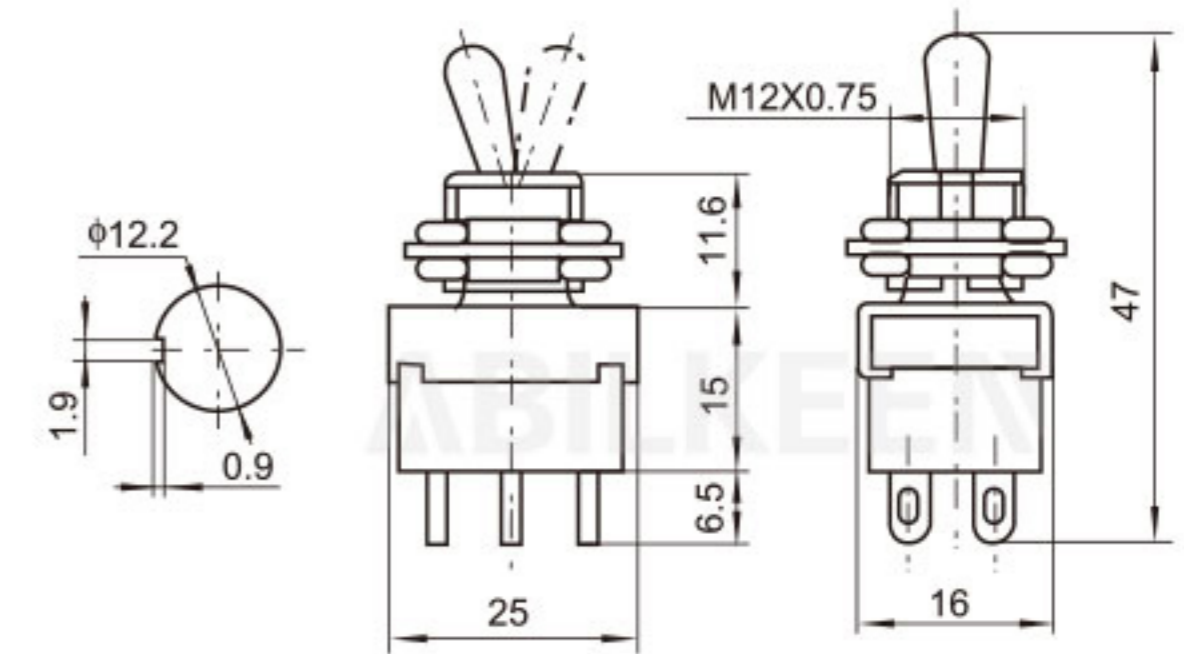


4PDT 12P

KN3(C)-402(P) ON-ON
KN3(C)-403(P) ON-OFF-ON
15A 250VAC; 20A 125VAC

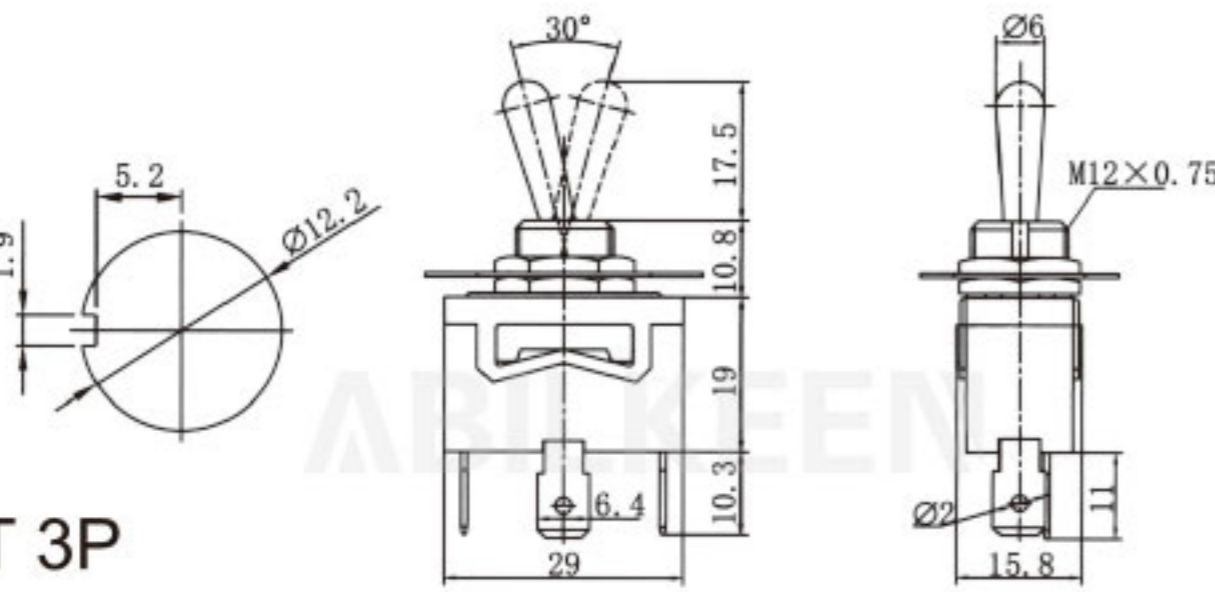


KN3-3A ON-ON
6A 125VAC 3A 250VAC

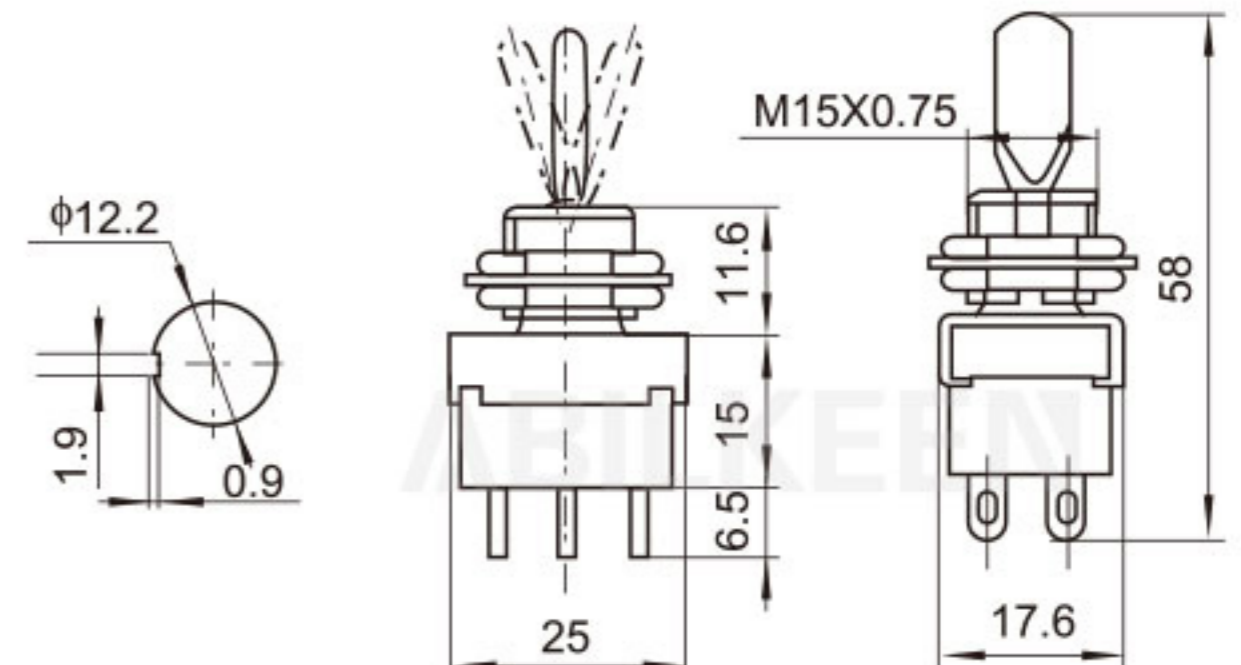


SPST 3P

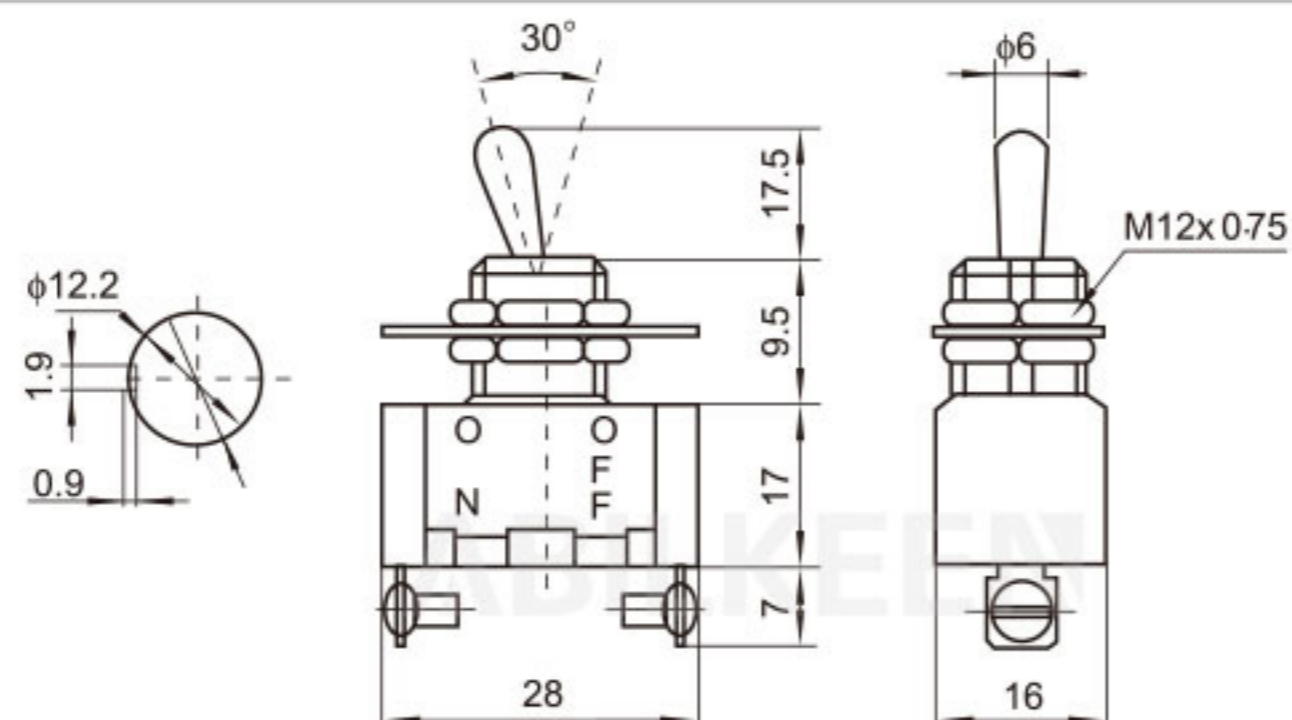
KN3(A)-101P ON-OFF KN3A-103P ON-OFF-ON
KN3(A)-102P ON-ON KN3A-113P ON-OFF-(ON)
KN3(A)-112P ON-(ON) KN3A-123P (ON)-OFF-(ON)



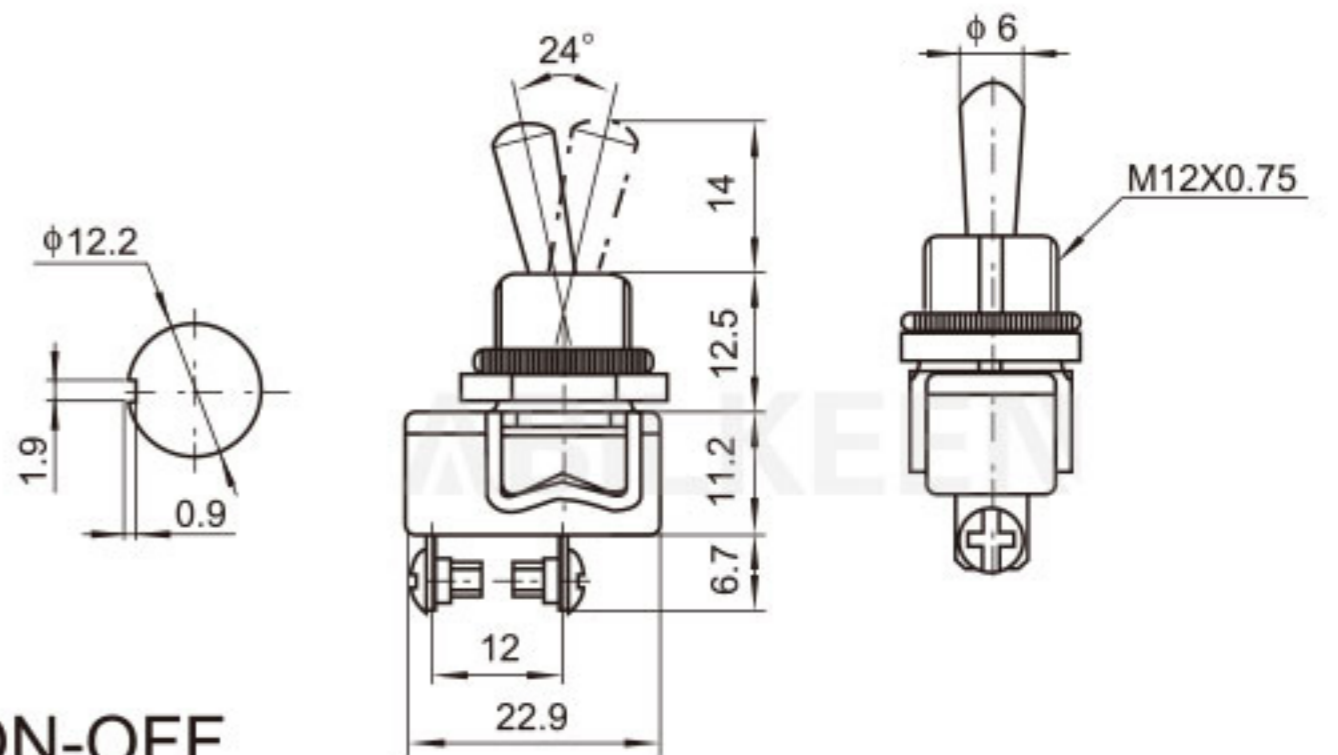
KN3-202 ON-ON KN3-203 ON-OFF-ON
6A 125VAC 3A 250VAC



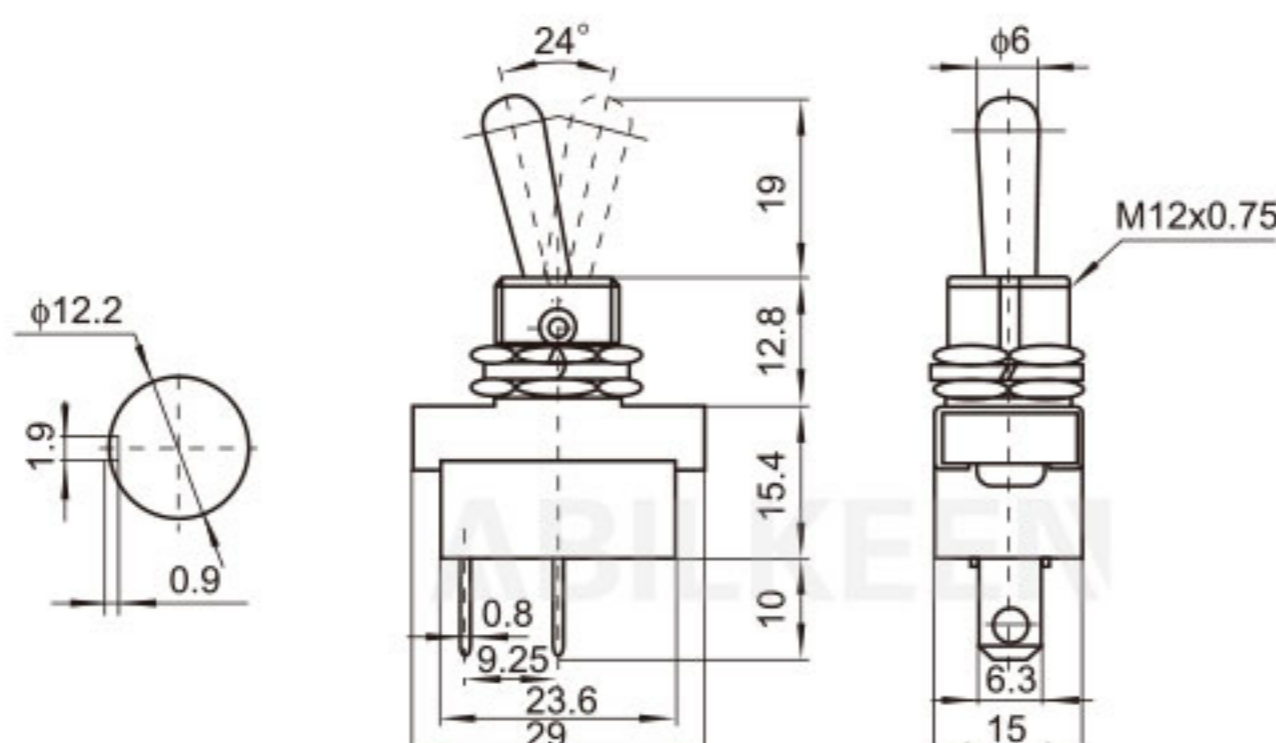
KN3(A)-112 ON-(ON) KN3(A)-101 ON-OFF
KN3(A)-102 ON-ON KN3(A)-103 ON-OFF-ON
KN3(A)-113 ON-ON KN3(A)-123 ON-OFF-ON



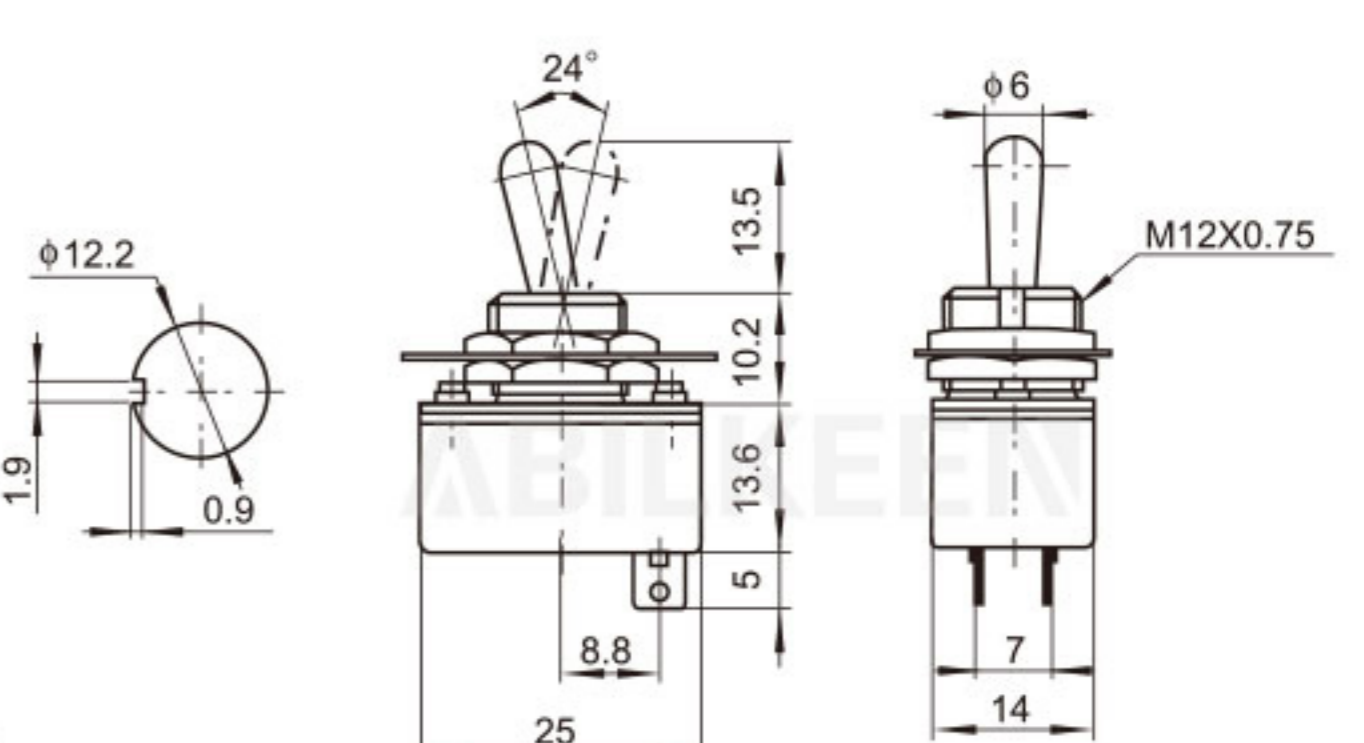
KN3(E)-101M ON-OFF
6A 125VAC 3A 250VAC



KN3(D)-101 ON-OFF KN3(D)-111 OFF-(ON)
6A 125VAC 3A 250VAC 25A 12VDC

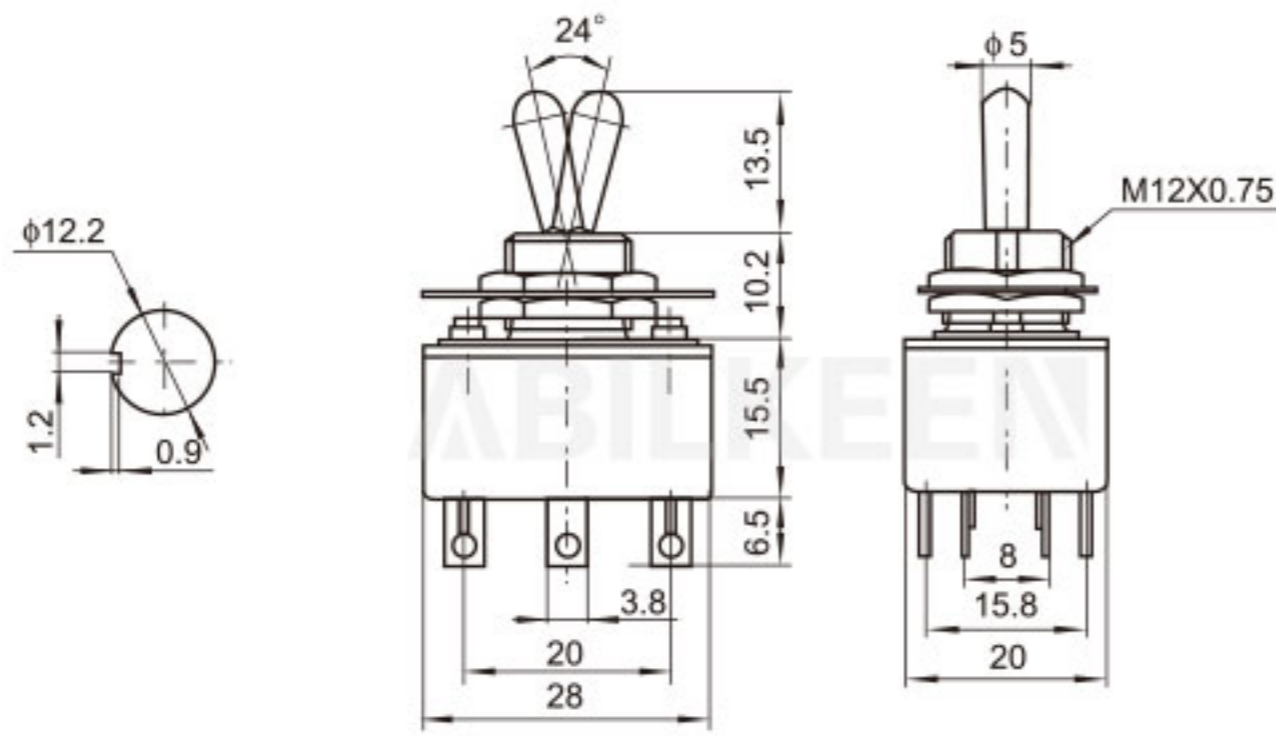


KN3-1 ON-OFF
4A 125VAC 2A 250VAC

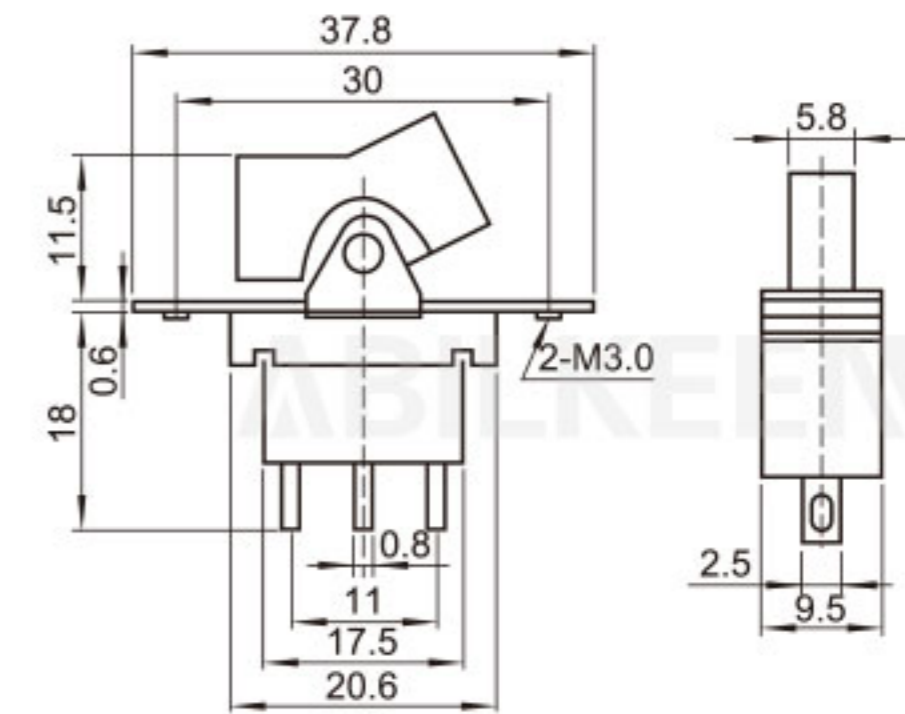




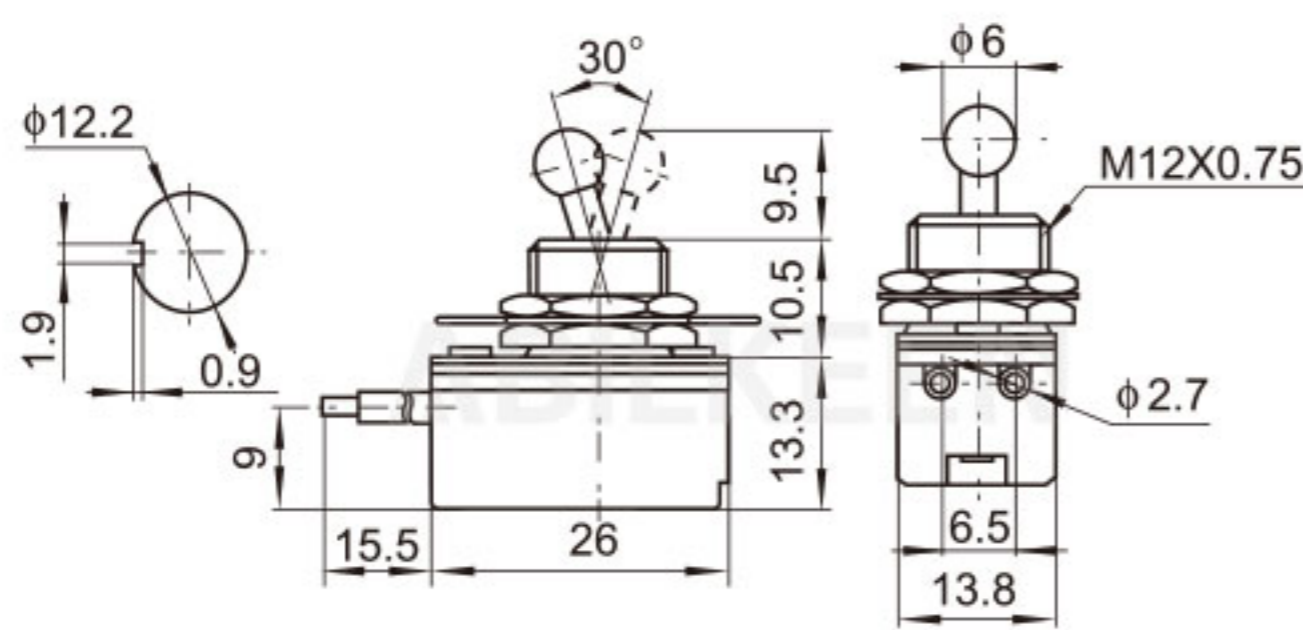
KN3-2
KN3-3 ON-ON
4A 125VAC 2A 250VAC



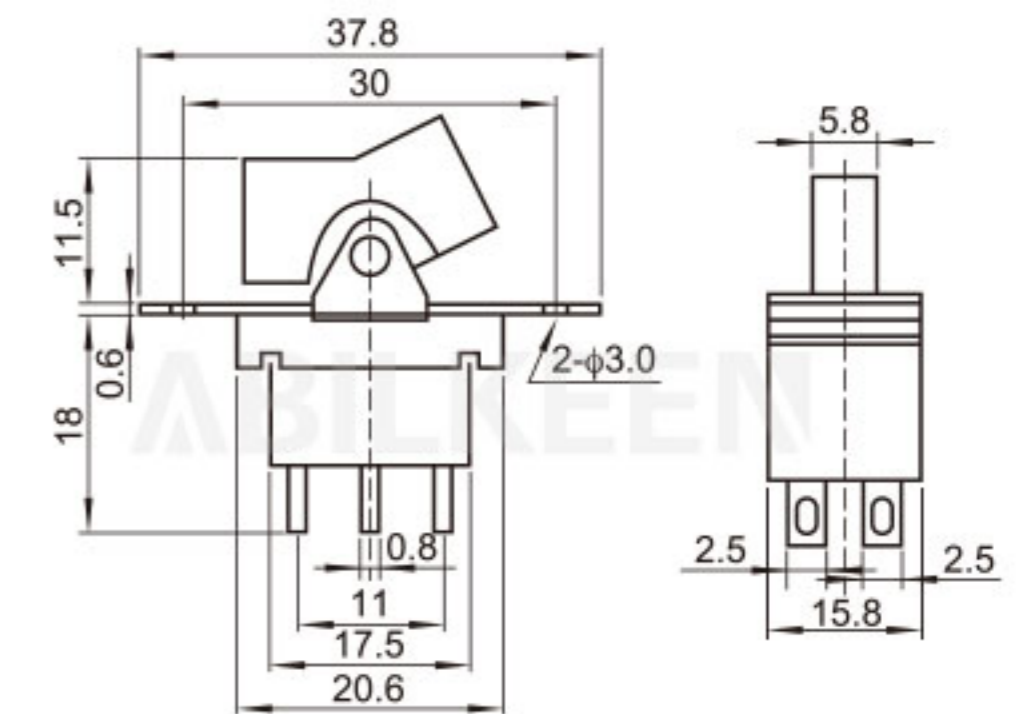
KND2 1x2 ON-ON
2A 250VAC 4A 125VAC



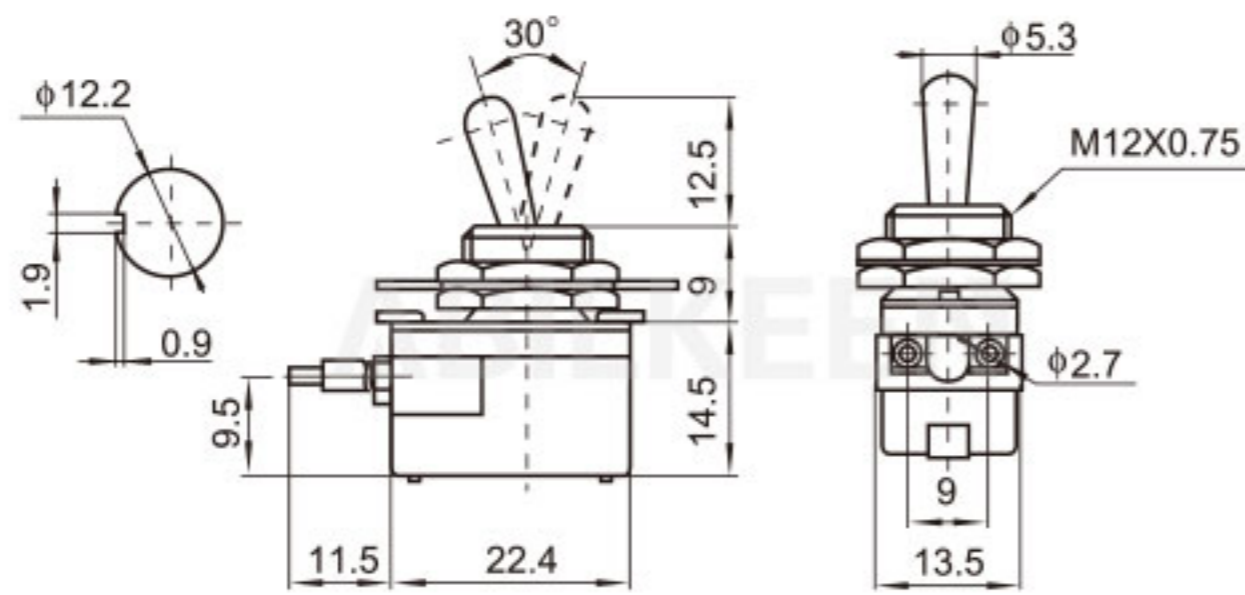
KNS-1 ON-OFF
6A 125VAC 3A 250VAC 10A 12VDC



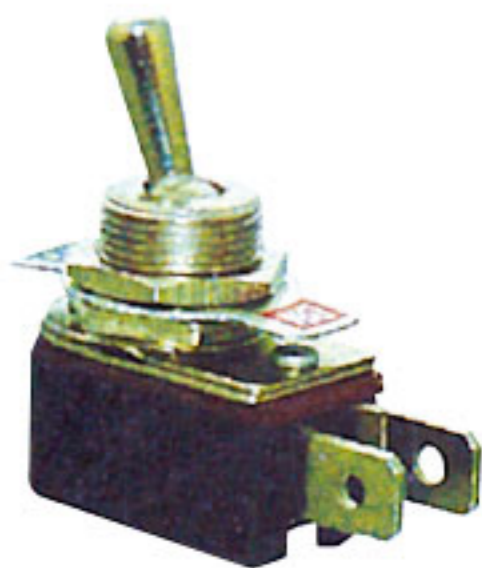
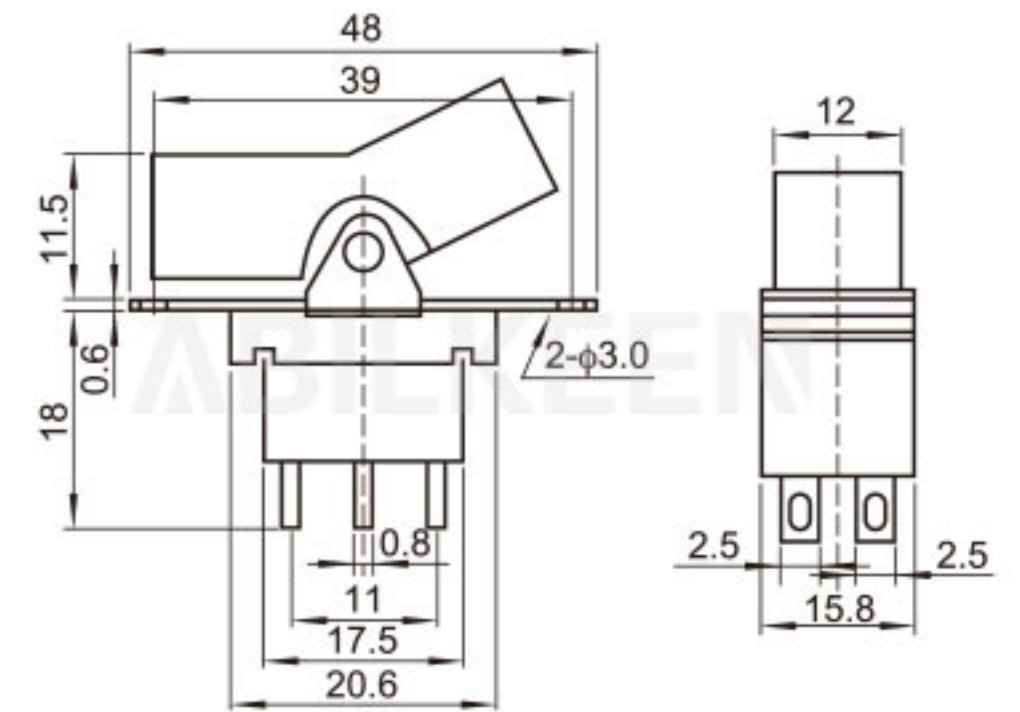
KND2 2x2 ON-ON
2A 250VAC 4A 125VAC



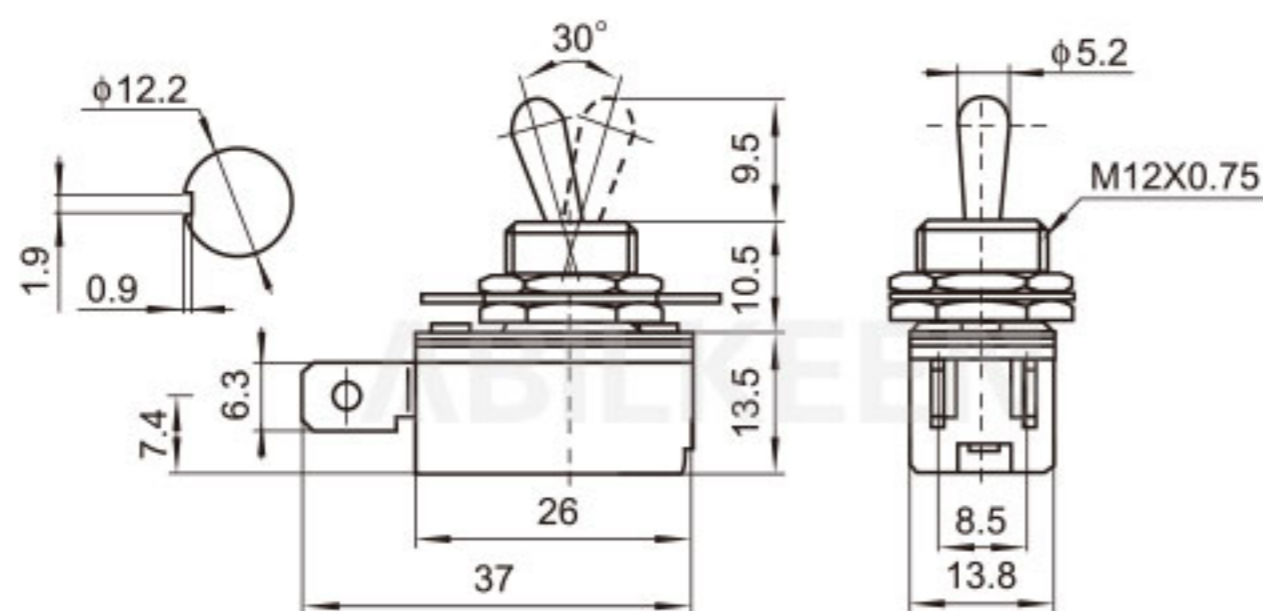
KNS-2 ON-ON
6A 125VAC 3A 250VAC 10A 12VDC



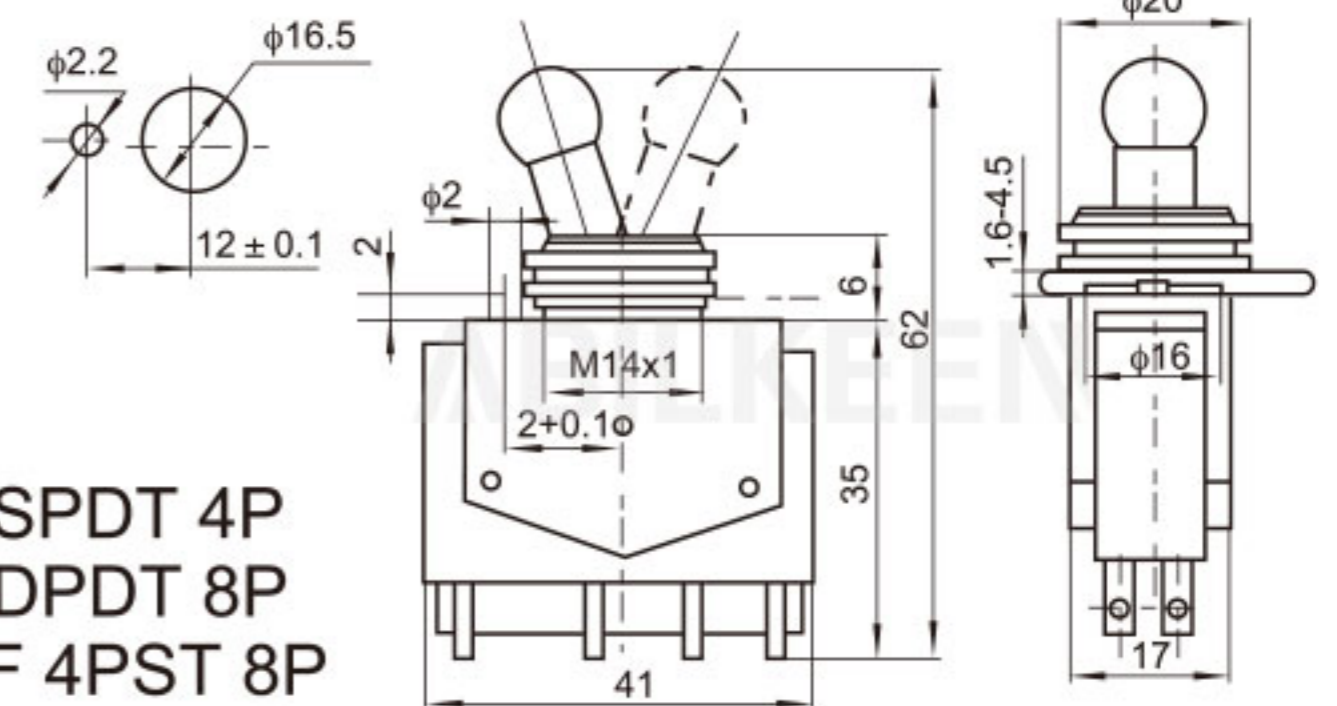
KND3 2x2 ON-ON
2A 250VAC 4A 125VAC



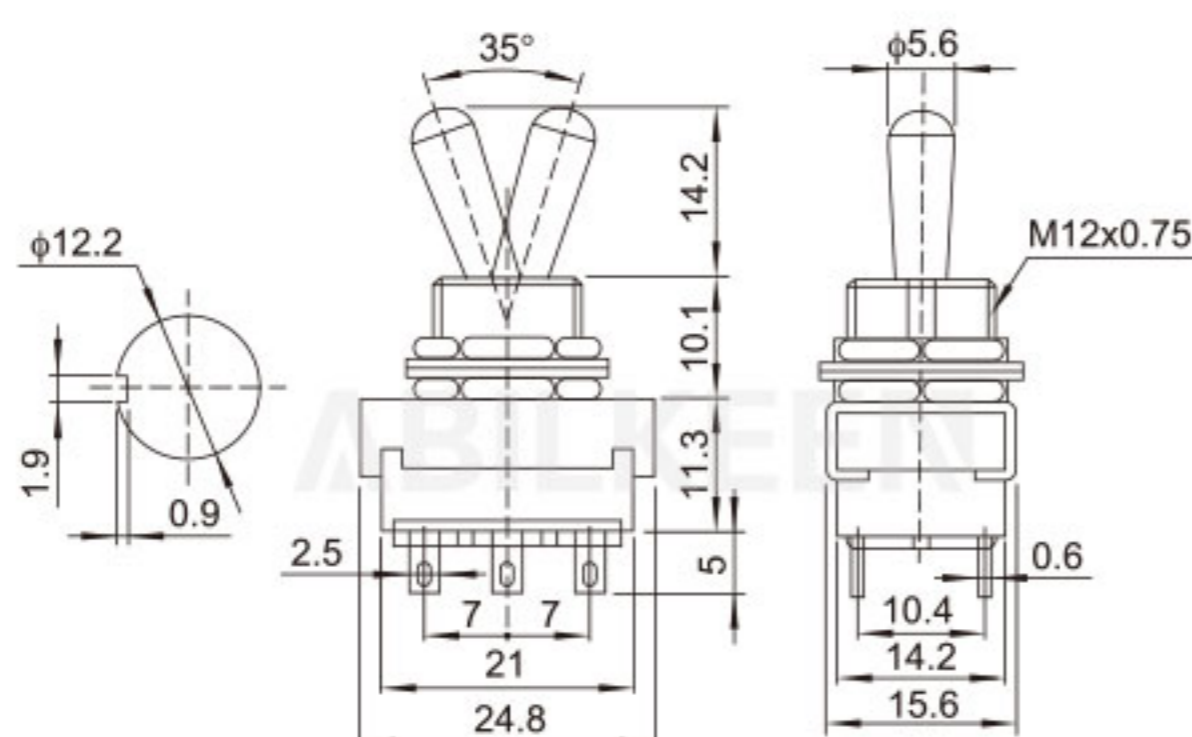
KNH-1 ON-OFF
KNH-1S ON-OFF
6A 125VAC 3A 250VAC 10A 12VDC



KN5-1 ON-ON SPDT 4P
KN5-2 ON-ON DPDT 8P
KN5-4 ON -OFF 4PST 8P
10A 125VAC 5A 250VAC



KN-32 ON-ON
2A 250VAC



R13-447 ON-OFF
20A 277VAC
IP54

